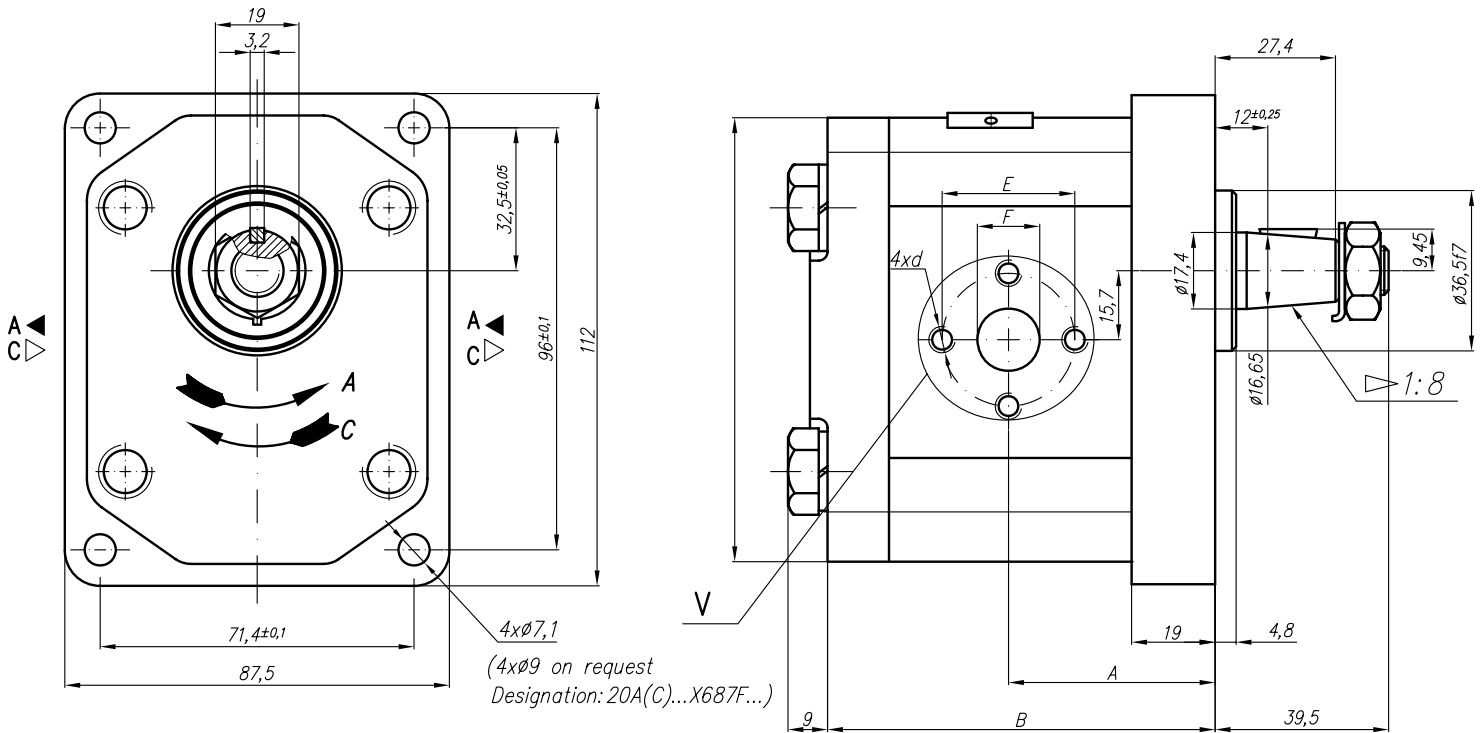


Pump type:  
**20A(C)...X687...**



BULGARIA, 6100 Kazanlak,  
31, Makariopolski str.,  
Tel.: (+359 431) 622-22, 655-89  
Fax: (+359 431) 622-23,  
e-mail: shipka54@mbox.contact.bg  
www.shipka54.com

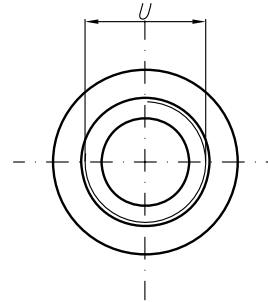
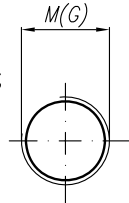


(4xØ9 on request  
Designation: 20A(C)...X687F...)

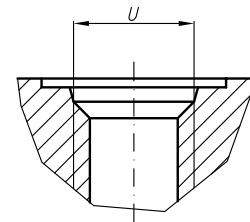
V  
Variants for ports – M;G;U

Designations:

- ...X687 – Normal version (flanges);
- ...X687M – Metric threads;
- ...X687G – GAS threads;
- ...X687U – SAE UNF threads;



SAE J475 (ISO R725)



Type	Displacement cm <sup>3</sup> /rev	Flow		Pressure P <sub>nom</sub> bar	max Speed n rpm	Dimension											
		at 1500 rpm l/min	at max rpm l/min			A mm	B mm	Inlet						Outlet			
						E	F	d	M	G	U	E	F	d	M	G	U
20A(C)4,5X687...	4,5	6,14	14,33	250	3500	42,5	80										
20A(C)6,3X687...	6,3	8,69	20,29	250	3500	44	83										
20A(C)8,2X687...	8,2	11,32	26,40	250	3500	45,5	85,9										
20A(C)10X687...	10	13,95	32,55	250	3500												
20A(C)11X687...	11,3	15,76	36,78	250	3500												
20A(C)12X687...	12	16,92	39,48	250	3500												
20A(C)14X687...	14	19,95	46,55	250	3500												
20A(C)15X687...	15	21,60	36,00	250	2500												
20A(C)16X687...	16	23,04	38,40	250	2500												
20A(C)19X687...	19	27,36	45,60	200	2500												
20A(C)22X687...	22	31,68	42,24	180	2000												
20A(C)25X687...	25	36,00	48,00	160	2000												
<b>Equivalent to 20A(C)...X006 and 20A(C)...X016</b>																	
						39,7	19	M8-6H	M20x1,5	G3/4	1 1/16"-12UNF	39,7	19	M8	M20x1,5	G1/2	7/8"-14UNF
												30,2	13,1	M6-6H			
													13,1				
														M6-6H			
															M16x1,5		