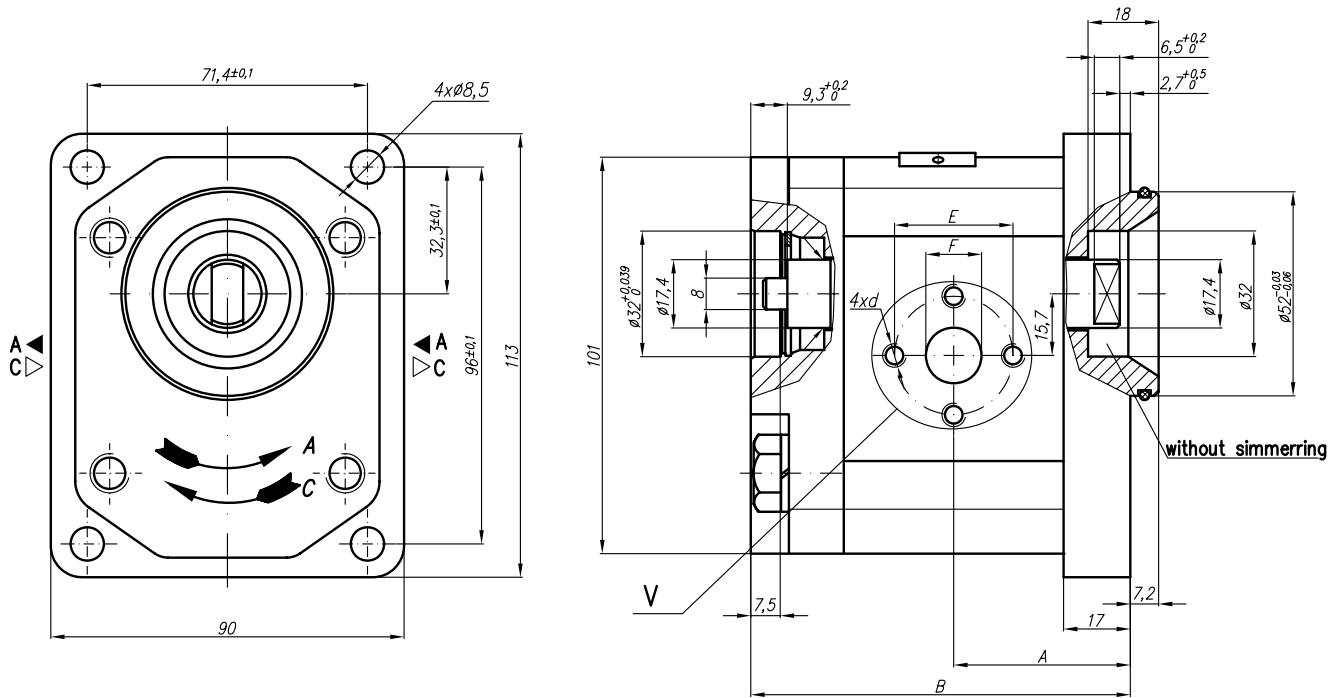


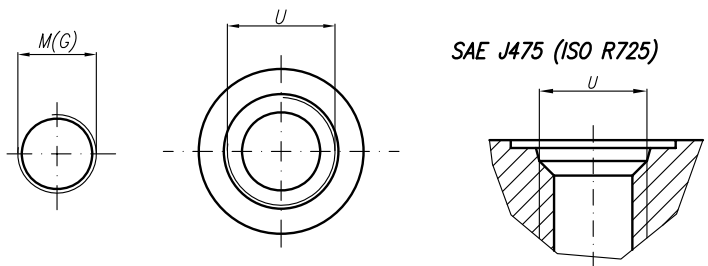
Designed as a middle section of tripple pumps – 321A(C)..../...X226.../ (lllgroup/llgroup/lgroup).



V
Variants for ports – M;G;U

Designations:

- ...X226 – Normal version (flanges);
- ...X226M – Metric threads;
- ...X226G – GAS threads;
- ...X226U – SAE threads;



Type	Displacement	Flow		Pressure P _{nom}	max Speed n	Dimension															
		at 1500 rpm	at max rpm			A	B	Inlet						Outlet							
	cm ³ /rev	l/min	l/min	bar	rpm	mm	mm	E	F	d	M	G	U	E	F	d	M	G	U		
20A(C)4,5X226...	4,5	6,14	14,33	250	3500	40,5	87,6														
20A(C)6,3X226...	6,3	8,69	20,29	250	3500	42	90,6	30,2	13,1	M6-6H		G1/2			13,1						
20A(C)8,2X226...	8,2	11,32	26,40	250	3500	43,5	93,5														
20A(C)10X226...	10	13,95	32,55	250	3500	45	96,6														
20A(C)11X226...	11,3	15,76	36,78	250	3500	46	98,7														
20A(C)12X226...	12	16,92	39,48	250	3500	46,6	99,9														
20A(C)14X226...	14	19,95	46,55	250	3500	48	103														
20A(C)15X226...	15	21,60	36,00	250	2500	49	104,5	39,7	19	M8-6H	M20x1,5	G3/4	1 1/16"-12UNF		14,2	M6-6H		M16x1,5			
20A(C)16X226...	16	23,04	38,40	250	2500	50	106,2							39,7							
20A(C)19X226...	19	27,36	45,60	200	2500	52	111,1							19							
20A(C)22X226...	22	31,68	42,24	180	2000	55	116,1														
20A(C)25X226...	25	36,00	48,00	160	2000	57,2	121,1								19	M8		M20x1,5			7/8"-14UNF