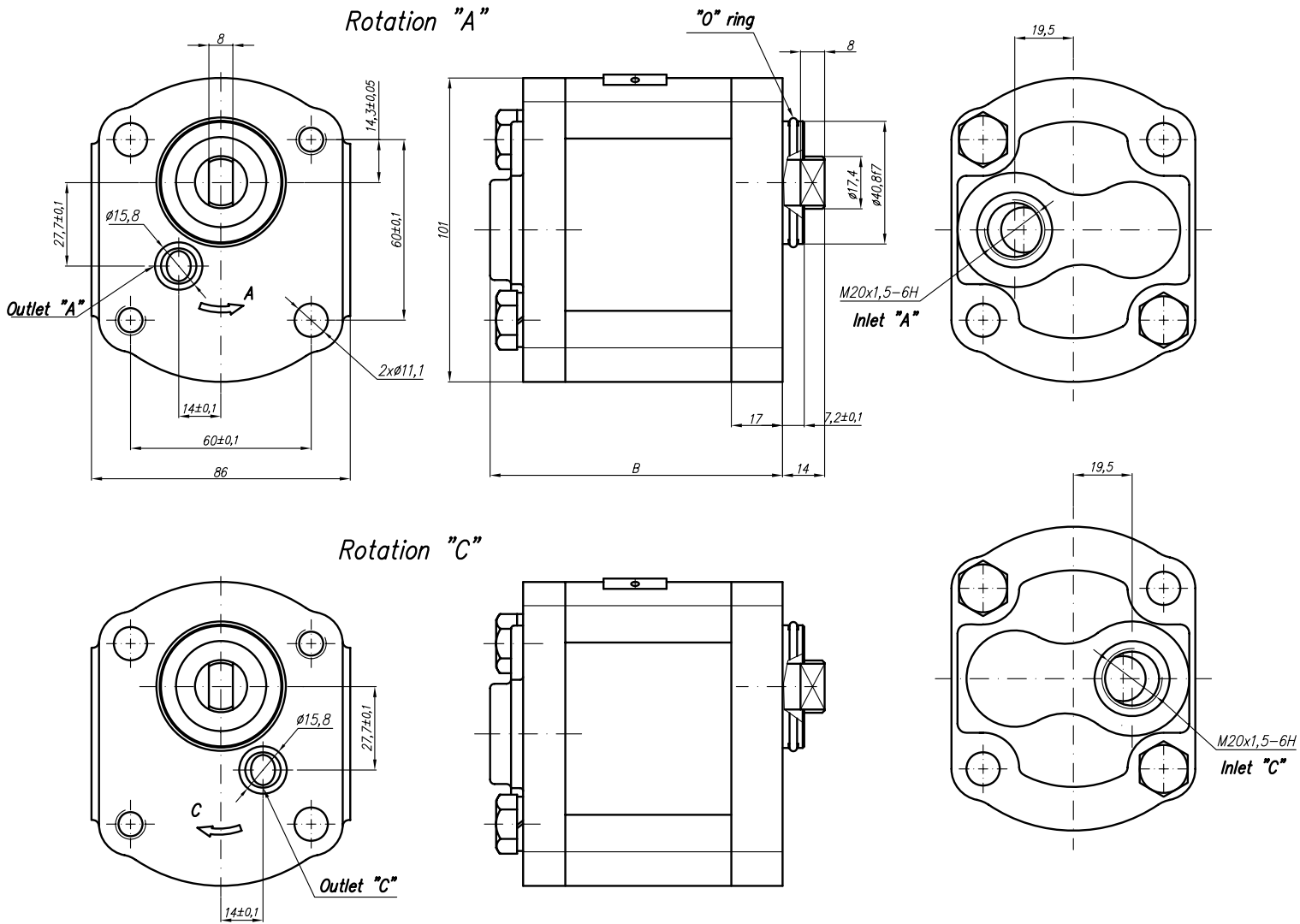


Pump type:
20A(C)...X153



BULGARIA, 6100 Kazanlak,
31, Makariopolski str.,
Tel.: (+359 431) 622-22, 655-89
Fax: (+359 431) 622-23,
e-mail: shipka54@mbox.contact.bg
www.shipka54.com



* It's required inlet overpressure 0,2...0,3 bar at max speed.

| Type | Displacement cm ³ /rev | Flow | | Pressure P _{nom} bar | max Speed n* rpm | Dimension | | | | | | | |
|---------------|--------------------------------------|----------------------|---------------------|-------------------------------------|------------------------|-----------|---------|---------|---|---|--------|--|--|
| | | at 1500 rpm l/min | at max rpm l/min | | | A mm | B mm | Inlet | | | Outlet | | |
| | | | | | | | | M | G | U | | | |
| 20A(C)4,5X153 | 4,5 | 6,14 | 14,33 | 250 | 3500 | | 89,1 | M20x1,5 | | | | | |
| 20A(C)6,3X153 | 6,3 | 8,69 | 20,29 | 250 | 3500 | | 92 | | | | | | |
| 20A(C)8,2X153 | 8,2 | 11,32 | 26,40 | 250 | 3500 | | 92 | | | | | | |
| 20A(C)10X153 | 10 | 13,95 | 32,55 | 250 | 3500 | | 101 | | | | | | |
| 20A(C)11X153 | 11,3 | 15,76 | 36,78 | 250 | 3500 | | 103 | | | | | | |
| 20A(C)12X153 | 12 | 16,92 | 39,48 | 250 | 3500 | | 104,3 | | | | | | |
| 20A(C)14X153 | 14 | 19,95 | 46,55 | 250 | 3500 | | 107,4 | | | | | | |
| 20A(C)15X153 | 15 | 21,60 | 36,00 | 250 | 2500 | | 108,9 | | | | | | |
| 20A(C)16X153 | 16 | 23,04 | 38,40 | 250 | 2500 | | 110,5 | | | | | | |
| 20A(C)19X153 | 19 | 27,36 | 45,60 | 200 | 2500 | | 115,5 | | | | | | |
| 20A(C)22X153 | 22 | 31,68 | 42,24 | 180 | 2000 | | 120,5 | | | | | | |
| 20A(C)25X153 | 25 | 36,00 | 48,00 | 160 | 2000 | | 125,4 | | | | | | |