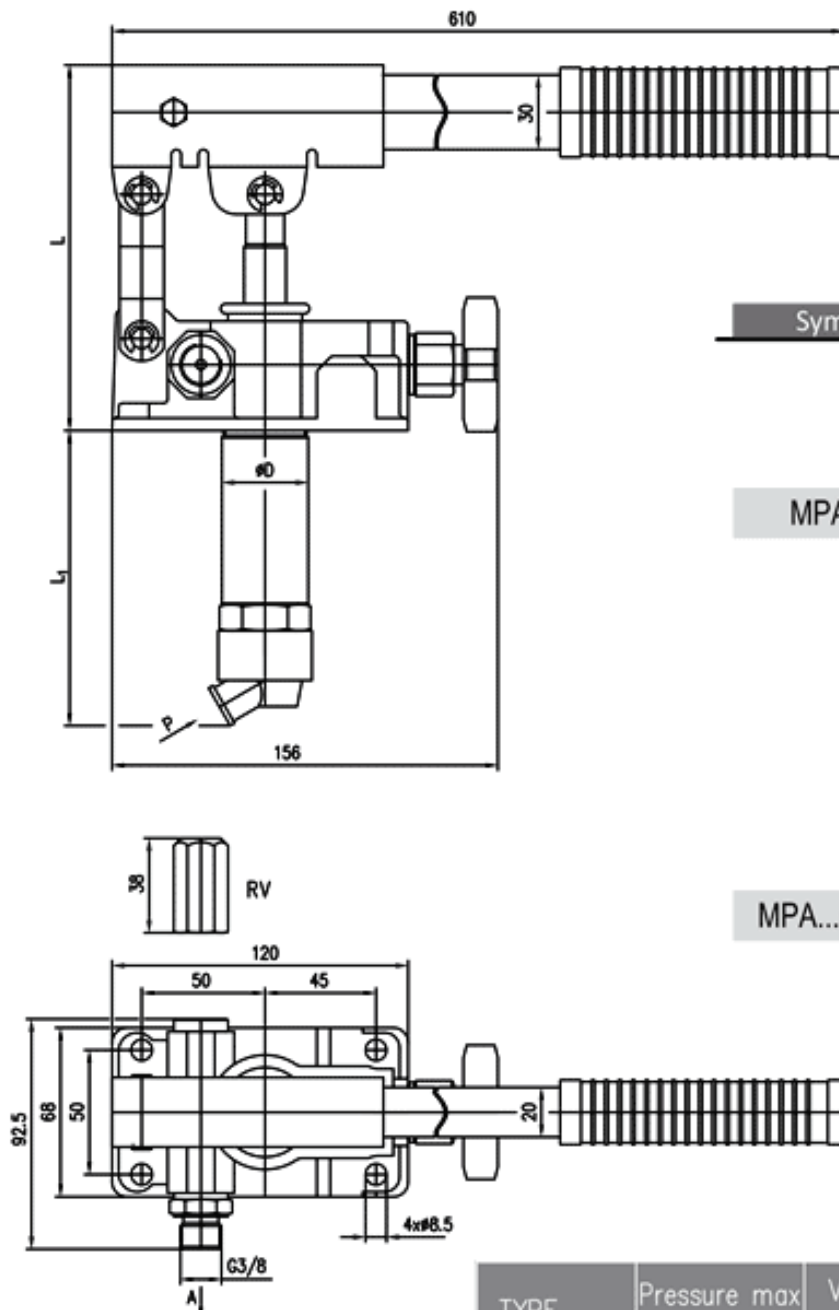


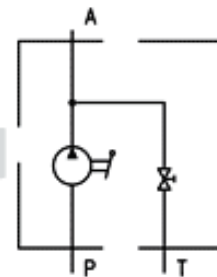
## HAND PUMPS MPA ...

suitable for oil tank

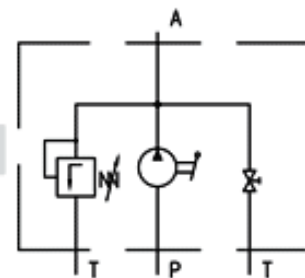


Symbol

MPA....



MPA...+RV

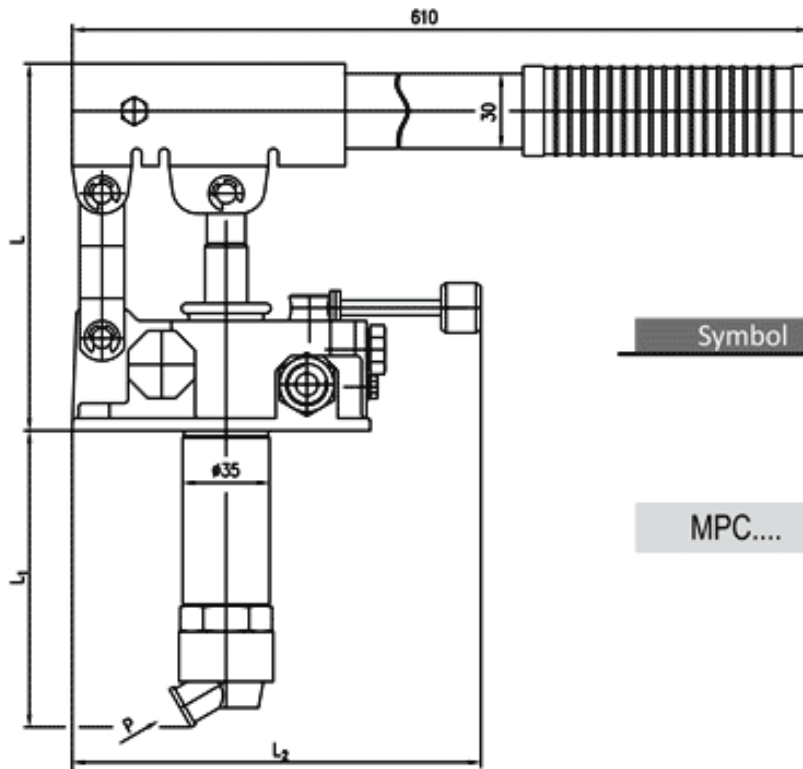


TYPE	Pressure max bar	Vol cm <sup>3</sup>	L mm	L1 mm	D mm	Weight kg
MPA12	380	12	147	120	30	3.4
MPA25	350	25	147	120	35	3.7
MPA45	280	45	167	128	40	4.2
MPA12+RV	380	12	147	120	30	3.5
MPA25+RV	350	25	147	120	35	3.8
MPA45+RV	280	45	167	128	40	4.3

\*RV-set pressure at 100bar

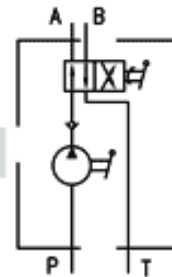
## HAND PUMPS MPC ...

suitable for oil tank

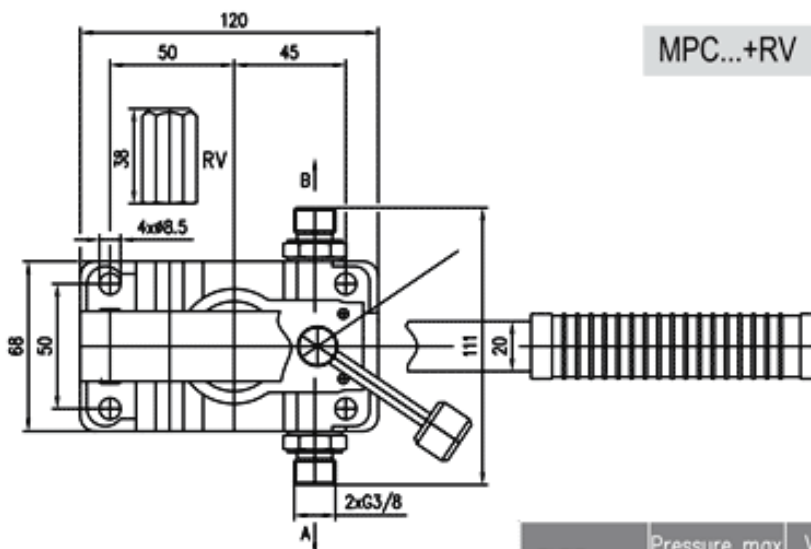
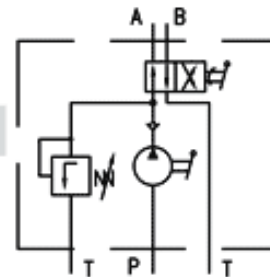


Symbol

MPC....



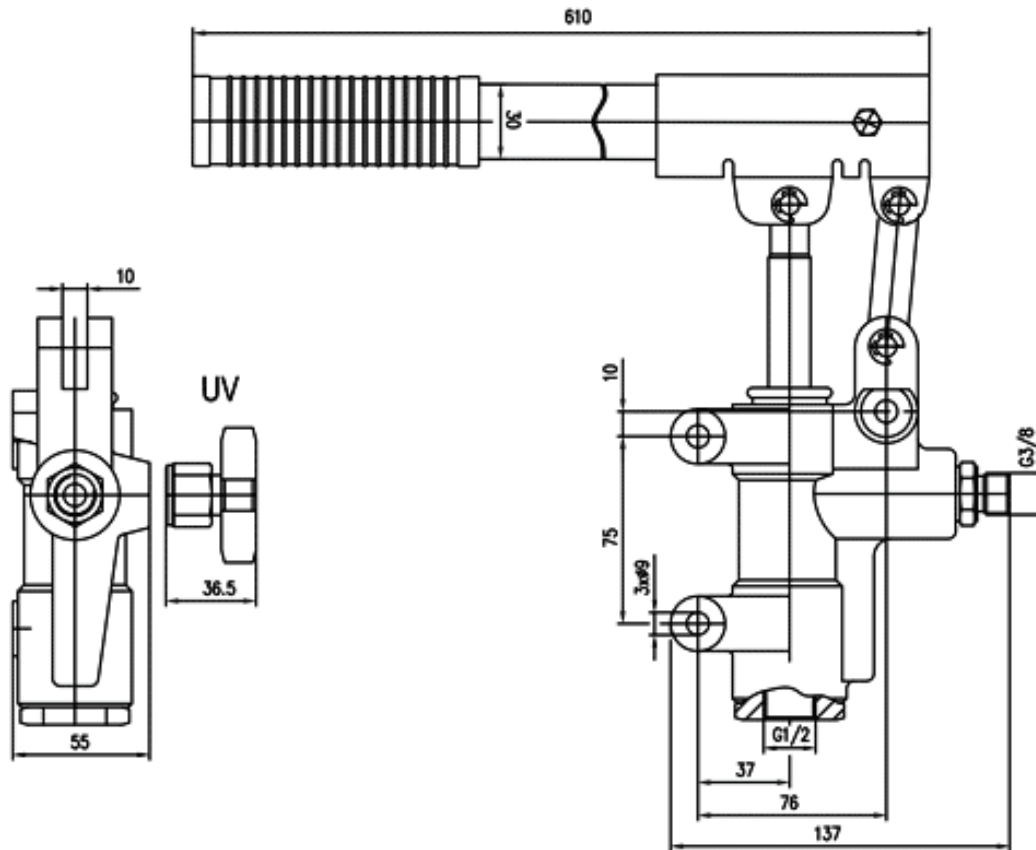
MPC...+RV



TYPE	Pressure max bar	Vol cm <sup>3</sup>	L mm	L1 mm	L2 mm	D mm	Weight kg
MPC12	380	12	147	120	165	30	3.6
MPC25	350	25	147	120	165	35	3.9
MPC45	280	45	167	128	167	40	4.4
MPC12+RV	380	12	147	120	165	30	3.7
MPC25+RV	350	25	147	120	165	35	4.0
MPC45+RV	280	45	167	128	167	40	4.5

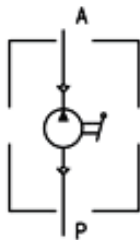
\*RV—set pressure at 100bar

## HAND PUMPS MPE ...

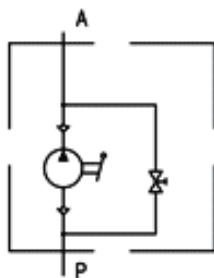


### Symbol

MPE....

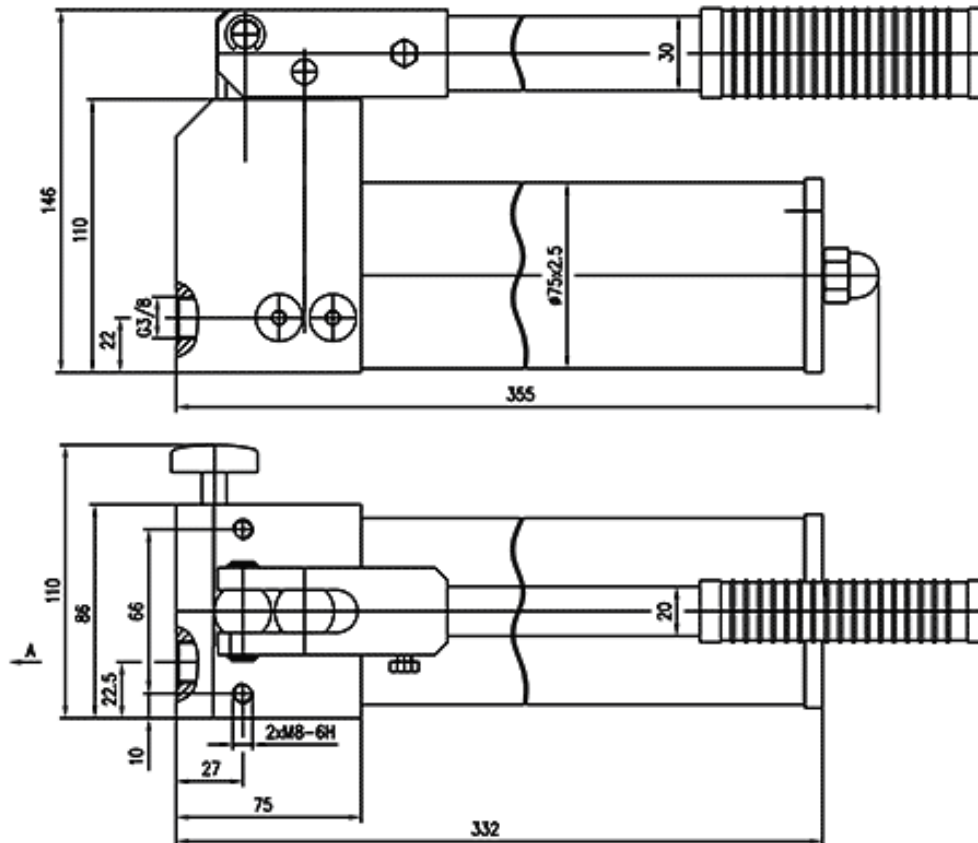
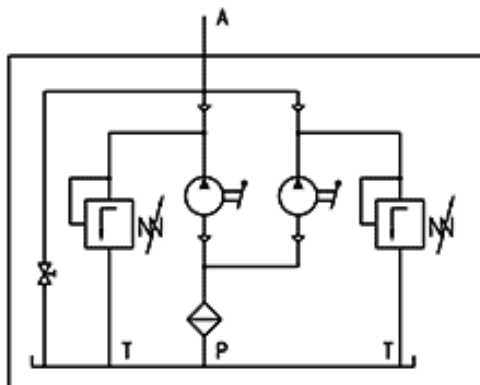


MPE...+UV



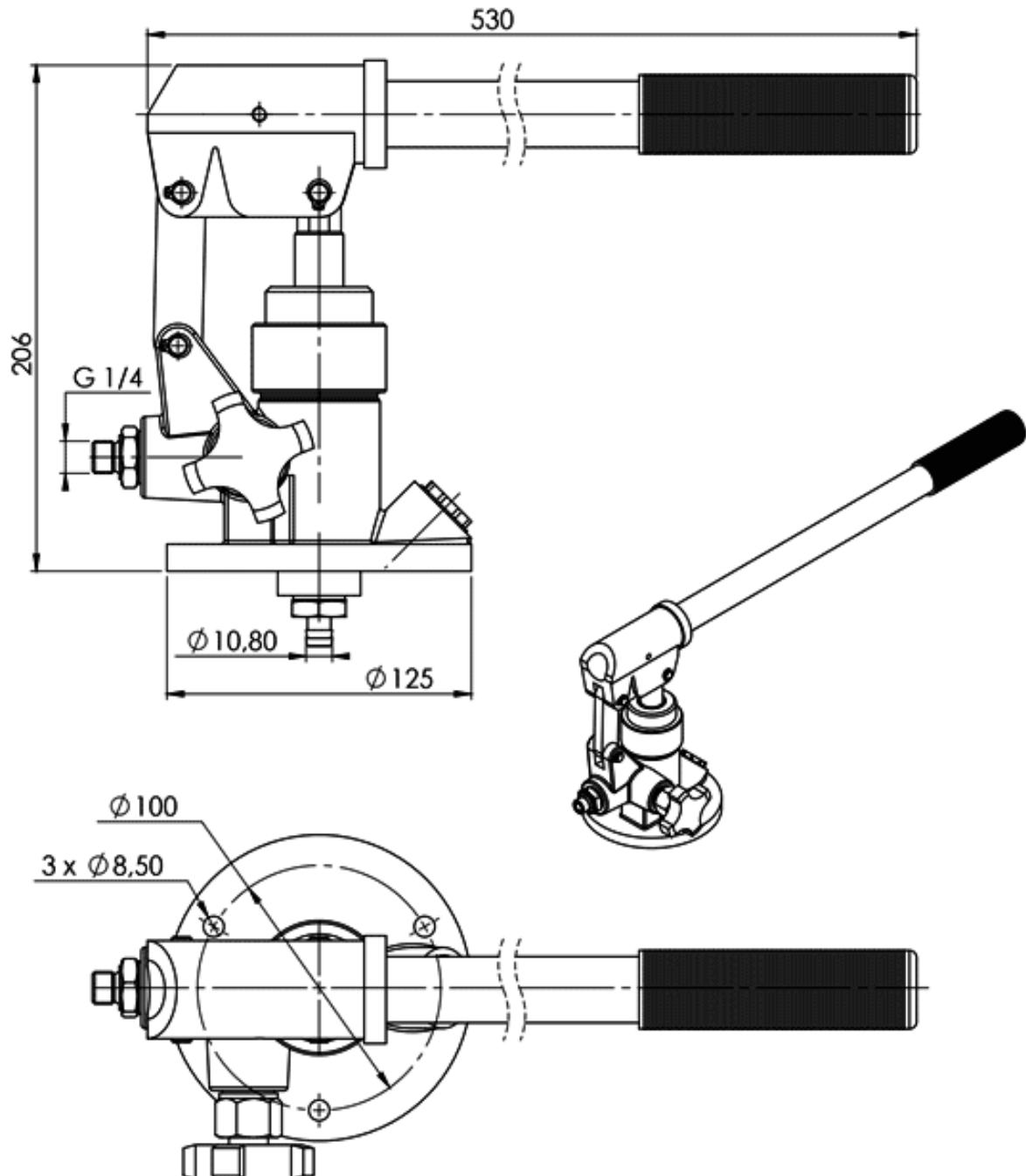
TYPE	Pressure max (bar)	Vol.,cm <sup>3</sup>	Weight,kg
MPE20	350	20	3.9
MPE20+UV	350	20	4

## HAND PUMPS MPG 700

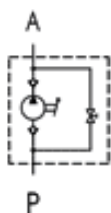

**Symbol**


TYPE	Pressure max (bar)	Vol.,cm <sup>3</sup>
MPG700	700	14

## HAND PUMPS HPE 15

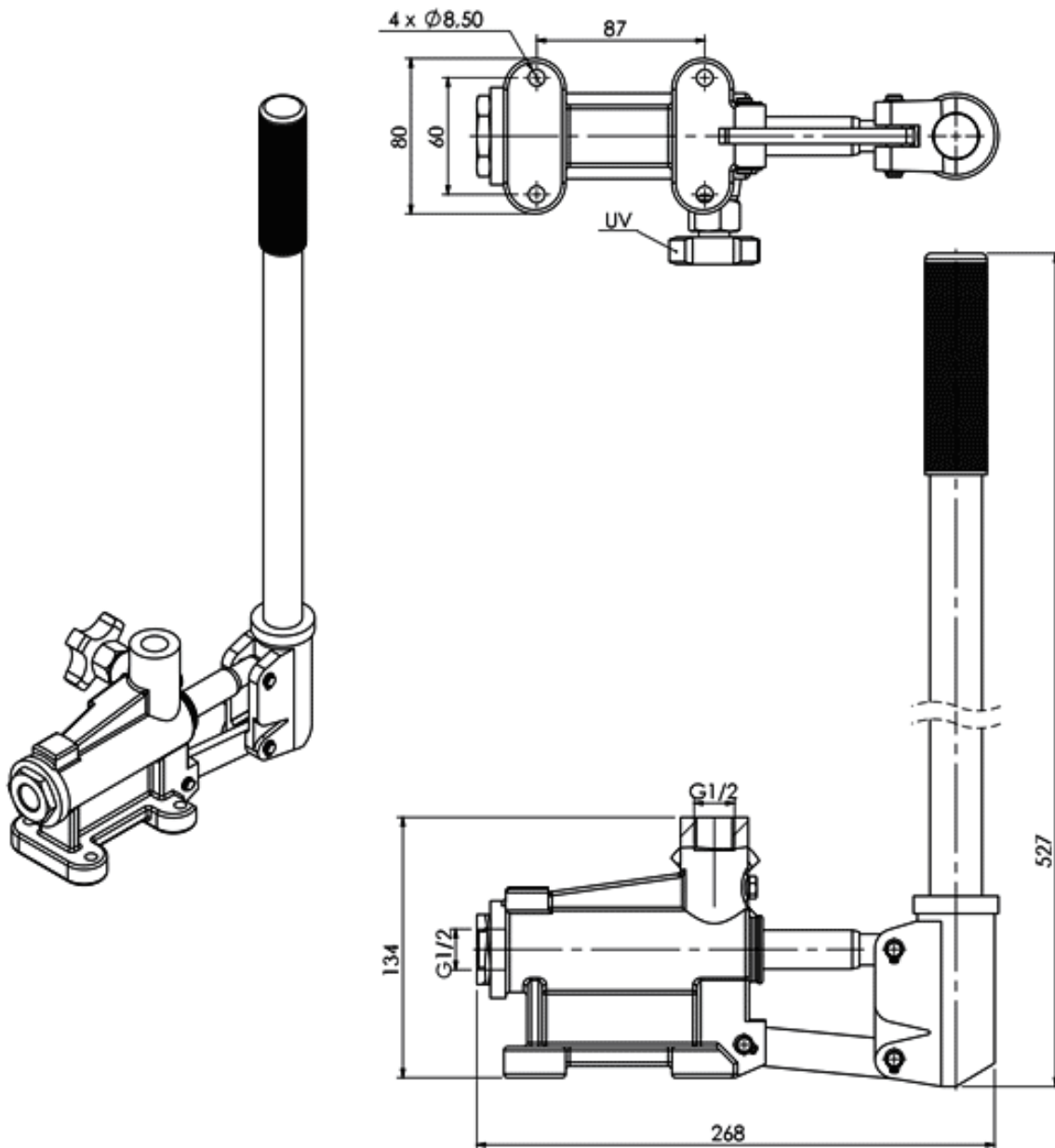


Symbol

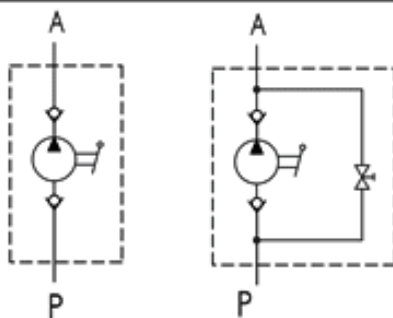


Type	Pressure max ( bar )	Vol. , cm	Weight , kg
HPE 15	300	15	5,5

## HAND PUMPS MPE 50



### Symbol

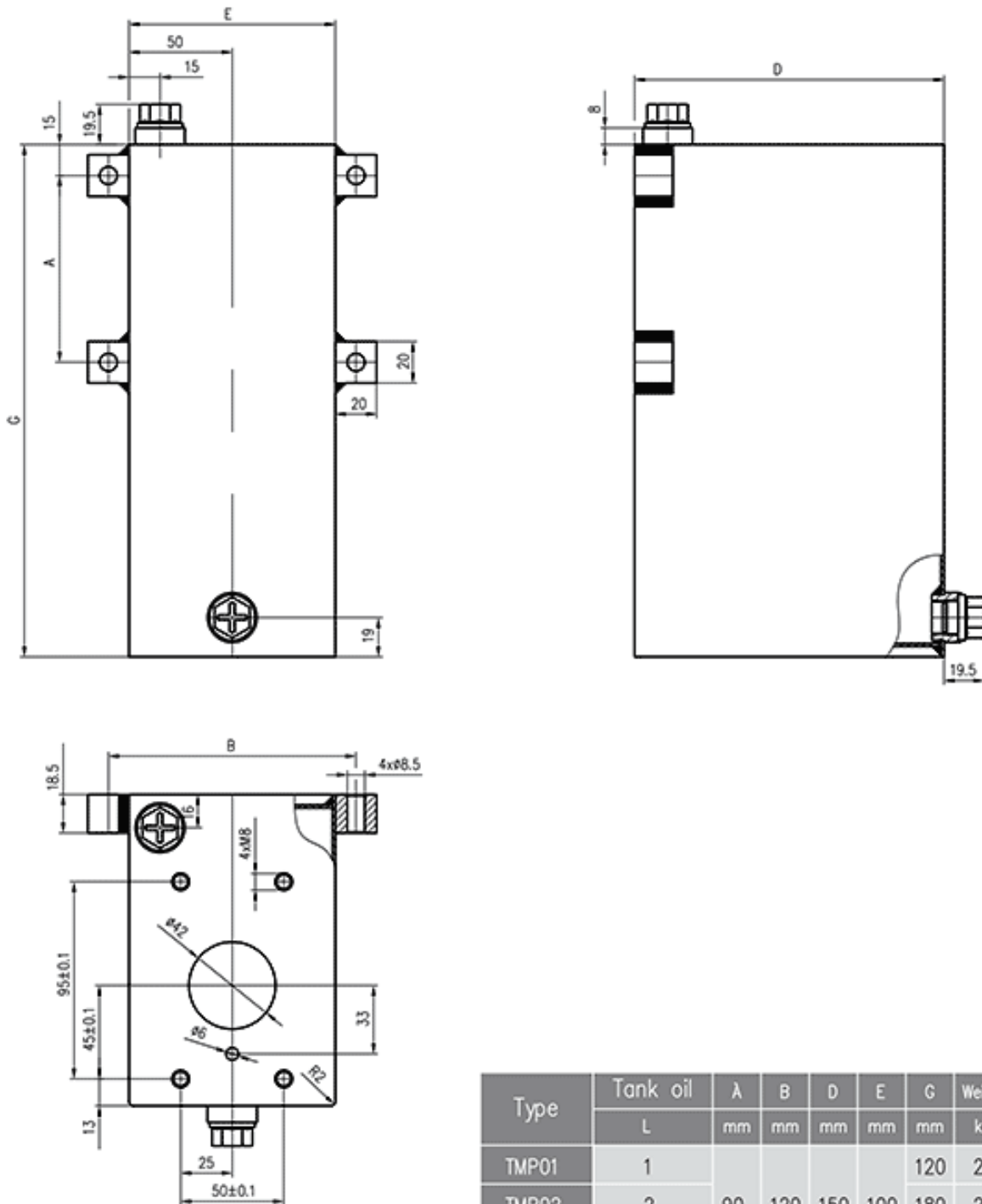


MPE 50

MPE 50 + UV

Type	Pressure max ( bar )	Vol. , cm	Weight , kg
MPE 50	300	50	4.7
MPE 50 + UV	300	50	4.8

## OIL TANKS FOR HAND PUMP TYPE TMP ...



Type	Tank oil	λ	B	D	E	G	Weight
	L						
TMP01	1					120	2
TMP02	2	90	120	150	100	180	2.2
TMP03	3					247	2.5
TMP05	5					200	4.5
TMP07	7	90	195	175	175	269	5.4
TMP10	10					376	6.8