

RELIEF VALVE

RV22-2A...

List: RV22-2A-1-June 2012

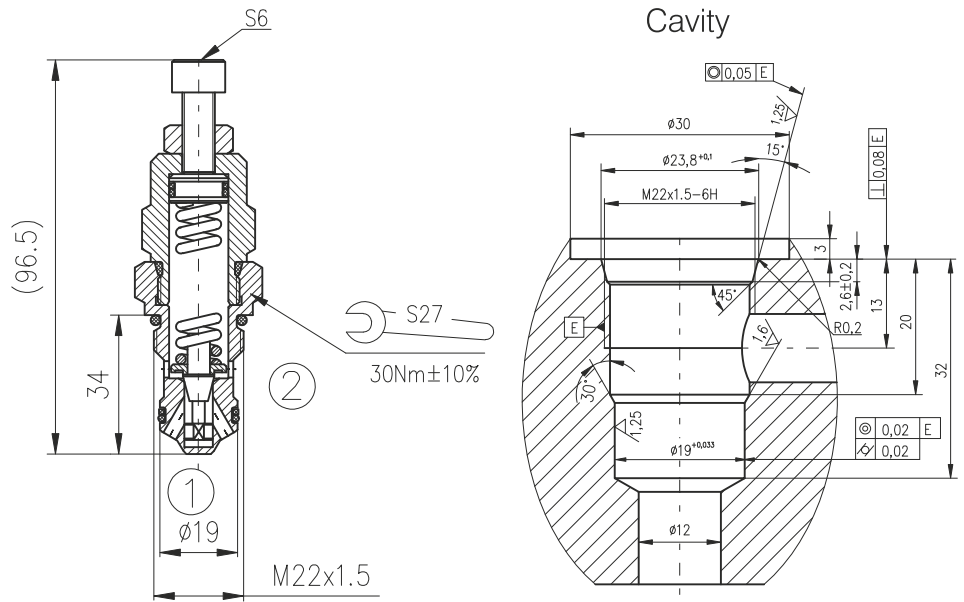
DESCRIPTION

A screw-in , cartridge-style , direct-acting , poppet-type , hydraulic relief valve intended for medium flow circuits requiring low internal leakage.

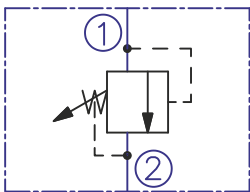
OPERATION

The RV22-2A blocks flow from 1 to 2 until sufficient pressure is present at 1 to force the spring-opposed poppet from its seat.

DIMENSIONS



SYMBOL



ORDERING CODE

RV22-2A *** **

Relief valve

Pressure adjustment range:

8...100bar - 10

15...210bar - 21

108...315bar - 30

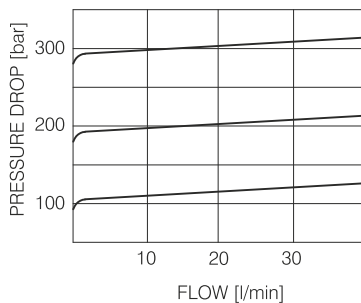
Seals:

Buna N - N

Viton V - V

PERFORMANCE

Cartridge only
32cSt oil at 40°C



The Performance Chart illustrates flow handling capacity at max. setting for each spring range option. Pressure rise will vary with spring (range) and with setting within range due to flow forces.



TECHNICAL DATA

| | | |
|---|--------------|--|
| Operating pressure | | 315bar |
| Pressure adjustment range: | RV22-2A0... | 8...100 bar |
| | RV22-2A21... | 15...210 bar |
| | RV22-2A30... | 108...315 bar |
| Rated flow - See Performance Chart | | |
| Internal leakage: | | 0,25cc/minute at 200bar max. to 75% of nominal setting |
| Working liquid-hydraulic oils with characteristics: | | |
| -viscosity | | 10...400 cSt |
| -degree of filtration | | 0,025 mm |
| -temperature | | -20...+80°C |

RV22-2A-1-June 2012