

DESCRIPTION

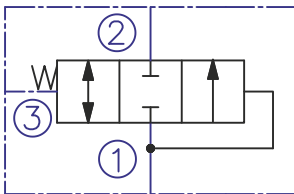
A screw-in , cartridge-style , direct-acting , spool-type , hydraulic sequence valve with internal pilot and spring chamber drain , design to direct flow to a secondary circuit once a pre-determined pressure level is attained in the primary circuit.

OPERATION

In its steady state , the PSV10-3D blocks flow passage from 1 to 2. When the pressure force in 1 exceeds the spring force the valve allows flow to pass from 1 to 2.

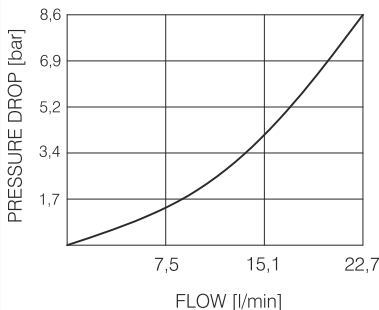
At pressure supply in 3 the PSV10-3D opens 2 to 1 flow path bidirectionally.

SYMBOL

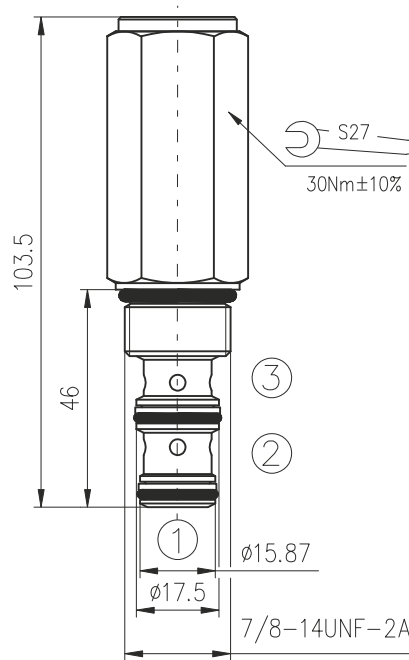


PERFORMANCE

Cartridge only
1 to 2 (fully open)
32cSt oil at 40°C



DIMENSIONS



ORDERING CODE

PSV10-3D ***

Pressure sequence valve

Seals:

Buna N - N
Viton V - V

TECHNICAL DATA

Operating pressure	200bar
Pressure sequence range:	PRV10-3D... 35...200 bar
Rated flow - See Performance Chart	
Internal leakage 1 to 2:	82cc/minute max. to 85% of nominal setting
Working liquid-hydraulic oils with characteristics: -viscosity -degree of filtration -temperature	10...400 cSt 0,025 mm -20...+80°C
Cavity: See "Cavities and bodies" brochure	CC10-3



BULGARIA, 6100 Kazanlak,
31, Makariopolski str.,
Tel.: (+359 431) 622-22, 655-89
Fax: (+359 431) 622-23,
e-mail: shipka54@mbox.contact.bg