

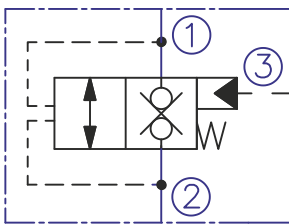
DESCRIPTION

A spool-type , screw-in , cartridge-style , hydraulic directional element , with multi function potential when used with other directional , pressure or flow control devices.

OPERATION

The PLV10-SA is a spring-based poppet valve which will block 1 to 2 or 2 to 1 until pressure at 1 or 2 exceeds the cumulative pressure at 3 and bias spring. with no pressure at 3 flow will be allowed from 1 to 2 or 2 to 1 once the bias spring force is overcome with pressure at 1 or 2. When the element is in closed state , the ratio of areas 1 and 2 is 1:1 , and the ratio of areas 1 or 2 to 3 is 1:2.

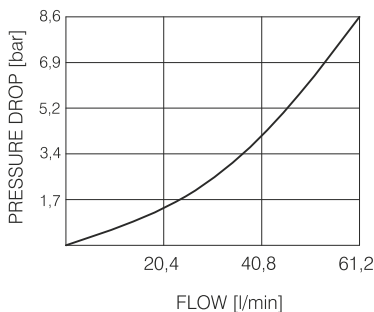
SYMBOL



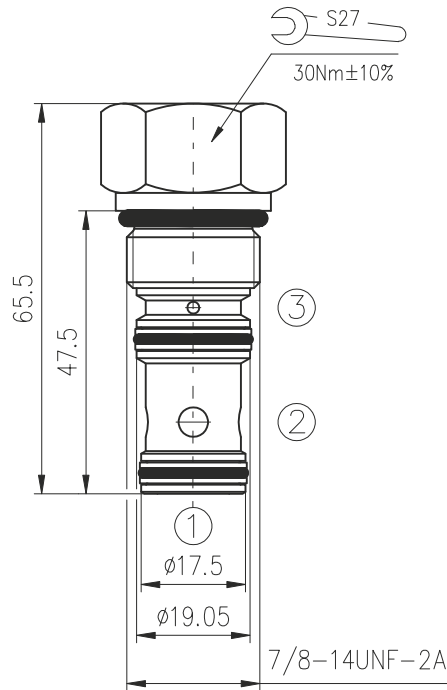
PERFORMANCE

Cartridge only

1 to 2 or 2 to 1 (fully open)
32cSt oil at 40°C



DIMENSIONS



ORDERING CODE

PLV10-SA ***

Pressure sequence valve

Seals: Buna N - N
Viton V - V

TECHNICAL DATA

Operating pressure	350bar
Rated flow - See Performance Chart	
Internal leakage:	0,2cc/minute max. at 240bar
Bias Spring Pressure	11bar
Working liquid-hydraulic oils with characteristics: -viscosity -degree of filtration -temperature	10...400 cSt 0,025 mm -20...+80°C
Cavity: See "Cavities and bodies" broshure	CC10-S3



BULGARIA, 6100 Kazanlak,
31, Makariopolski str.,
Tel.: (+359 431) 622-22, 655-89
Fax: (+359 431) 622-23,
e-mail: shipka54@mbox.contact.bg