

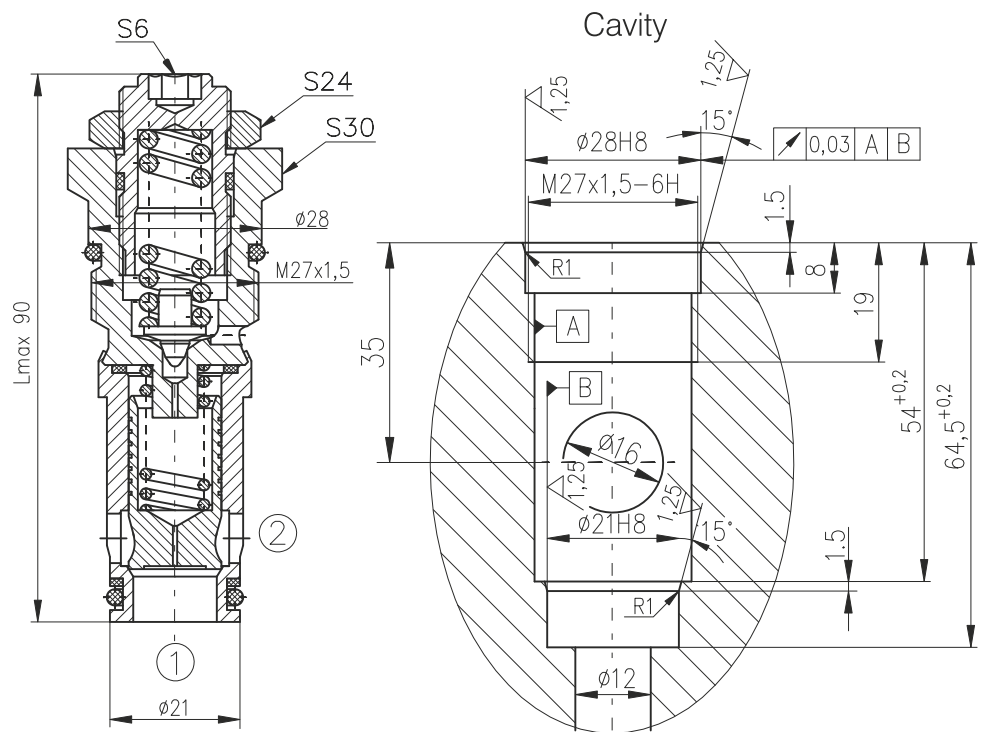
DESCRIPTION

A screw-in , cartridge-style , pilot-acting , poppet-type , hydraulic relief valve intended for high flow circuits requiring low internal leakage.

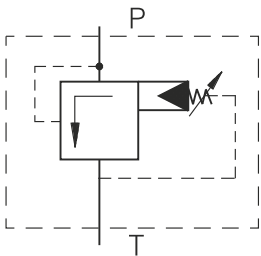
OPERATION

The KPZ10/... blocks flow from 1 to 2 until sufficient pressure is present at 1 to force the spring-opposed poppet from its seat.

DIMENSIONS



SYMBOL



ORDERING CODE

KPZ10 / ***

Relief valve

Pressure adjustment range:

5...100bar - 10

15...200bar - 20

20...320bar - 32

TECHNICAL DATA

Operating pressure		320bar
Pressure adjustment range:	KPZ10/10	5...100 bar
	KPZ10/20	15...200 bar
	KPZ10/32	20...320 bar
Rated flow		160l/min
Working liquid-hydraulic oils with characteristics:		
-viscosity		10...400 cSt
-degree of filtration		0,025 mm
-temperature		-20...+80°C



BULGARIA, 6100 Kazanlak,
31, Makariopolski str.,
Tel.: (+359 431) 622-22, 655-89
Fax: (+359 431) 622-23,
e-mail: shipka54@mbox.contact.bg