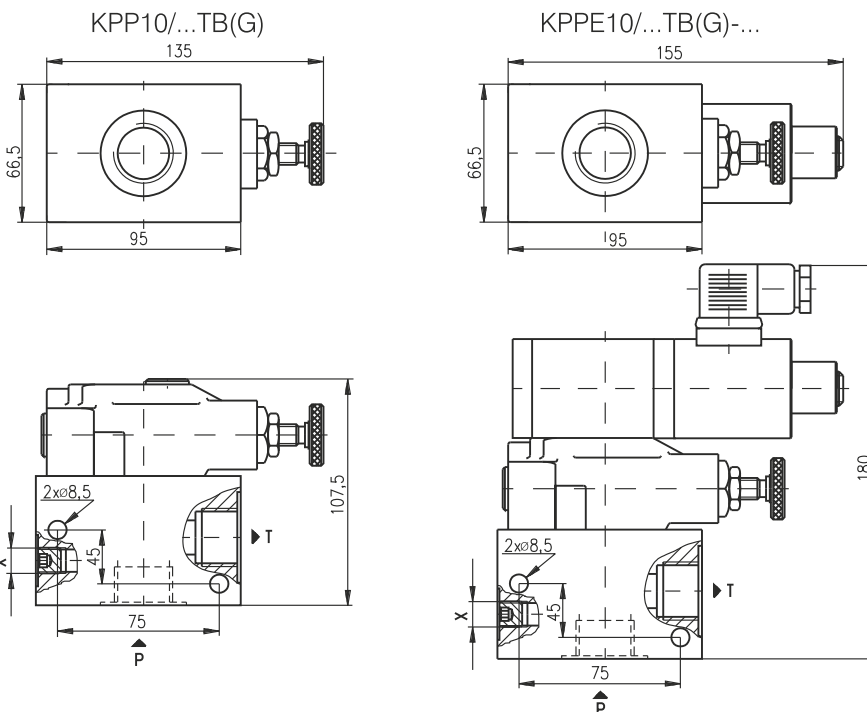
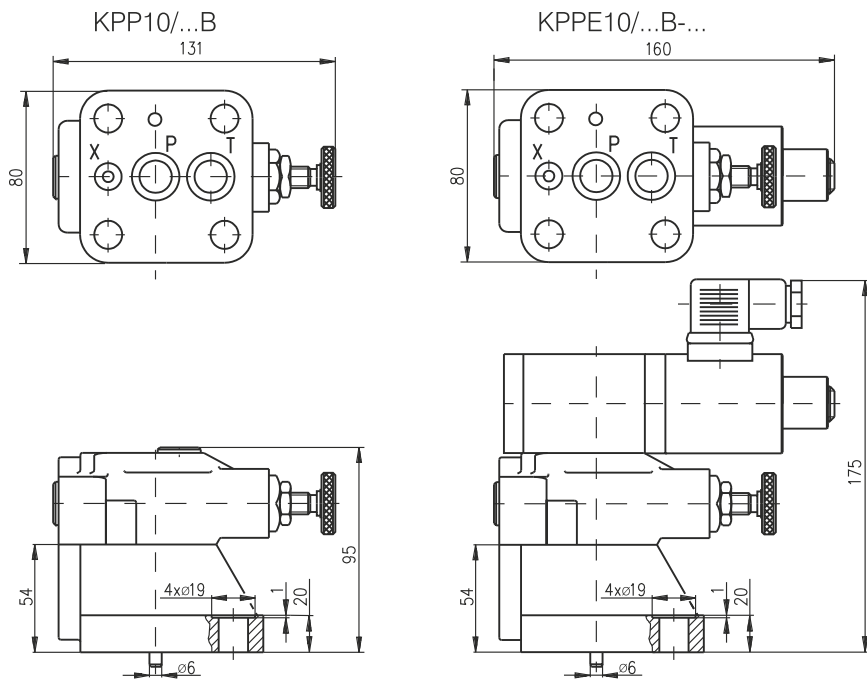


DESCRIPTION

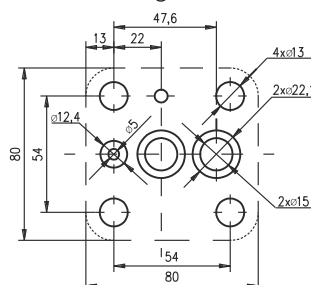
- ✓ Pressure relief valves-prefill type for plate mounting-KPP10/...B , KPPE10/...B-...
- ✓ Pressure relief valves-prefill type for pipe and plate mounting with pilot operation-KPP10/...B , KPP...10/...TB(G).
- ✓ Pressure relief valves-prefill type for pipe and plate mounting with pilot solenoid operation - KPPE10/...B-... , KPPE...10/...TB(G)-...
- ✓ The pressure relief valve protects the hydraulic drives of overloading or damaging by limiting or maintaining a constant pressure. There is a possibility for pressure range adjustment and they allow such an action even during work.

The unloading relief valve can be used when the system pressure is required to be automatically unloaded at reaching the adjusted pressure.

DIMENSIONS



Mounting surface

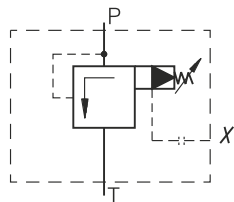


BULGARIA, 6100 Kazanlak,
31, Makariopolski str.,
Tel.: (+359 431) 622-22, 655-89
Fax: (+359 431) 622-23,
e-mail: shipka54@mbox.contact.bg

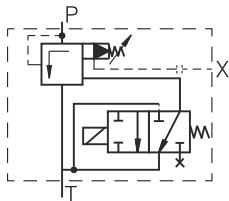
RELIEF VALVE-PREFILL TYPE

KPP...10/...

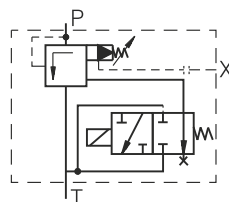
SYMBOL



KPP10/...B
KPP10/...TB



KPPE10/...B-NO
KPPE10/...TB-NO
(normally open)



KPPE10/...B-NZ
KPPE10/...TB-NZ
(normally closed)

ORDERING CODE

KPP *** 10 / *** ** - *** **

Relief valve prefill type

Type of control:

pilot operated -omit
pilot solenoid operated -E

Nominal bore 10mm.

Rated pressure: up to 100 bar.-10

up to 200 bar.-20

up to 320 bar.-32

Modification: for plate mounting -B
for pipe mounting(metric threads M27x2
for P & T line and M12x1,5 for X line) -TB
for pipe mounting(GAS threads G3/4"
for P&T line and G1/4" for X line) -TB(G)

Type of control valve:

solenoid valve normally open -NO

solenoid valve normally closed -NZ

Supply voltage

12VDC -12

24VDC -24

110VAC -110

220VAC -220

TECHNICAL DATA

Weight	KPP10/...B	2,890 kg
	KPPE10/...B-...	4,600 kg
	KPP10/...TB	4,490 kg
	KPPE10/...TB-...	6,200 kg
Max. pressure		320 bar
Rated flow ($\Delta p=2,5$ bar.)		160 l/min
Adjustment of pressure range:		
KPP10/10B , KPP10/10TB(G)		4...100 bar
KPP10/20B , KPP10/20TB(G)		10...200 bar
KPP10/32B , KPP10/32TB(G)		20...320 bar
KPPE10/10B-... , KPPE10/10TB(G)-...		4...100 bar
KPPE10/20B-... , KPPE10/20TB(G)-...		10...200 bar
KPPE10/32B-... , KPPE10/32TB(G)-...		20...320 bar

Working liquid-hydraulic oils with characteristics:

-viscosity 10...400 cSt
-degree of filtration 0,025 mm
-temperature -20...+80°C



BULGARIA, 6100 Kazanlak,
31, Makariopolski str.,
Tel.: (+359 431) 622-22, 655-89
Fax: (+359 431) 622-23,
e-mail: shipka54@mbox.contact.bg

KPP10-1-June 2012