

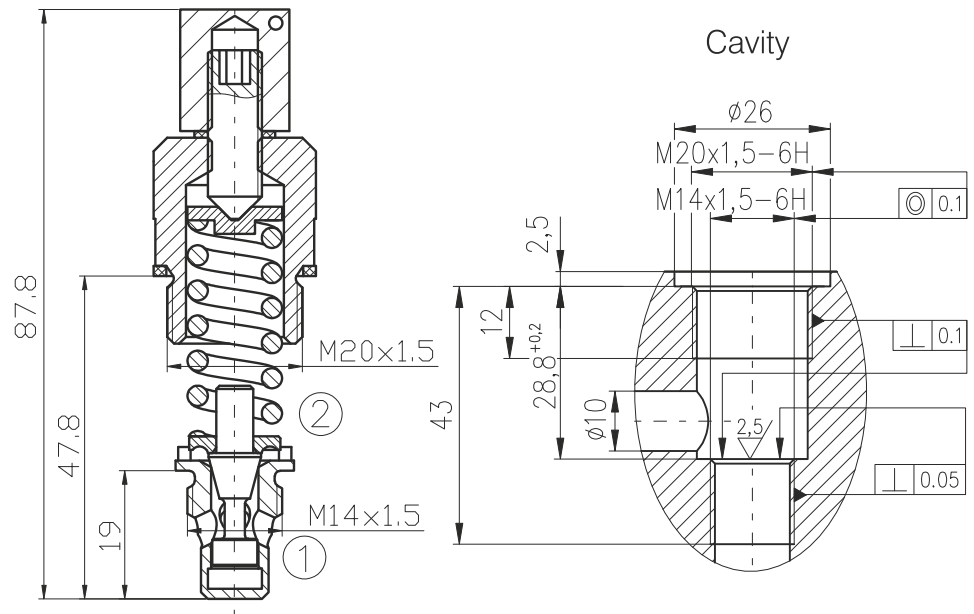
## DESCRIPTION

A screw-in , cartridge-style , direct-acting , poppet-type , hydraulic relief valve intended for medium flow circuits requiring low internal leakage.

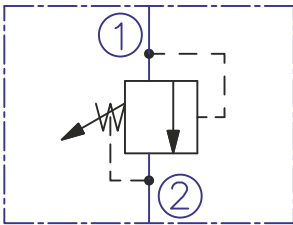
## OPERATION

The KP60/... blocks flow from 1 to 2 until sufficient pressure is present at 1 to force the spring-opposed poppet from its seat.

## DIMENSIONS



## SYMBOL



## ORDERING CODE

KP60 / \*\*\*

Relief valve

Pressure adjustment range:

96...200bar - 01

211...320bar - 02

30...100 - 03

## TECHNICAL DATA

Operating pressure		320bar
Pressure adjustment range:	KP60/01	96...210 bar
	KP60/02	210...320 bar
	KP60/03	30...100 bar
Rated flow		60l/min
Working liquid-hydraulic oils with characteristics:	-viscosity	10...400 cSt
	-degree of filtration	0,025 mm
	-temperature	-20...+80°C



BULGARIA, 6100 Kazanlak,  
31, Makariopolski str.,  
Tel.: (+359 431) 622-22, 655-89  
Fax: (+359 431) 622-23,  
e-mail: shipka54@mbox.contact.bg