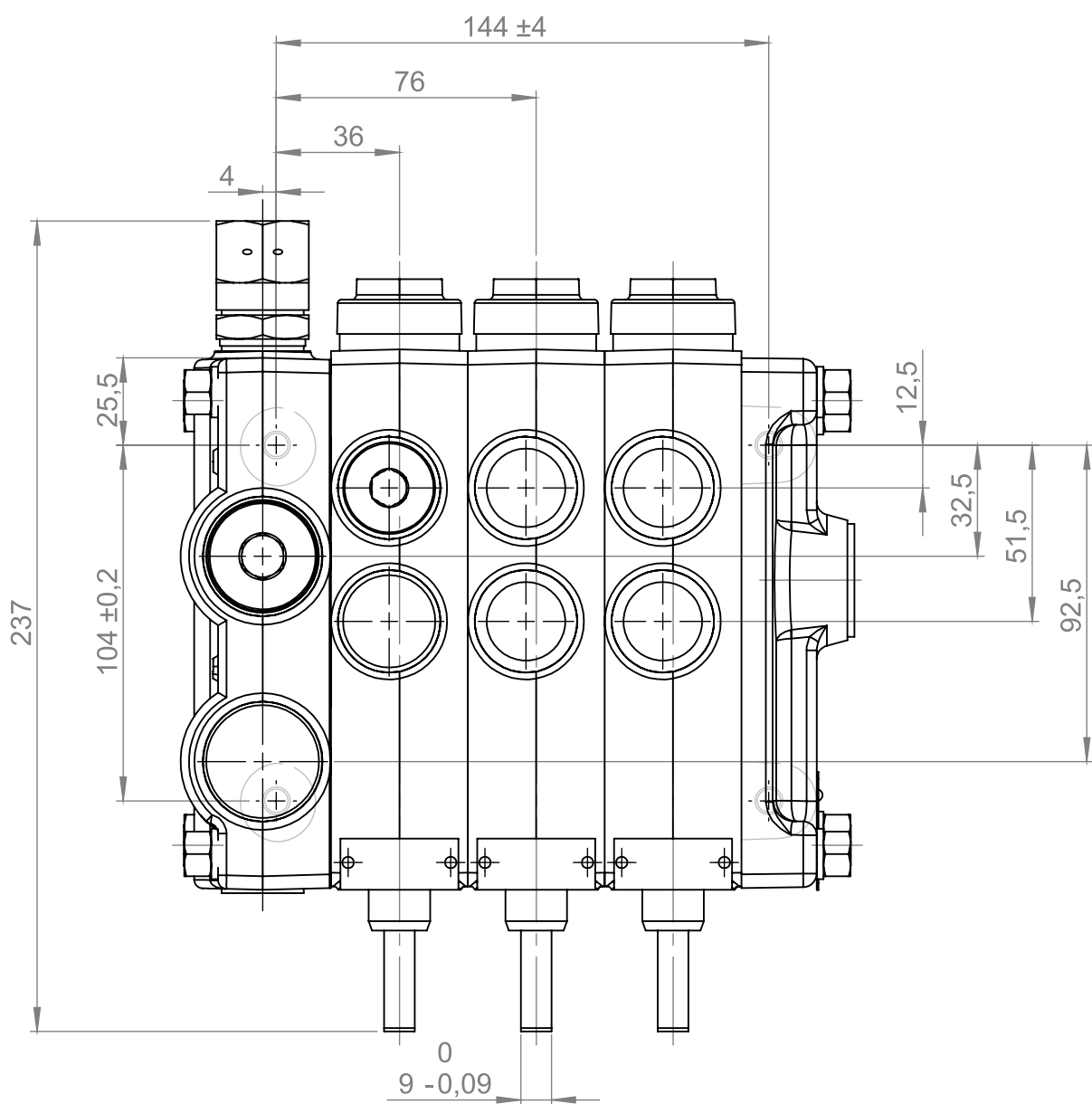
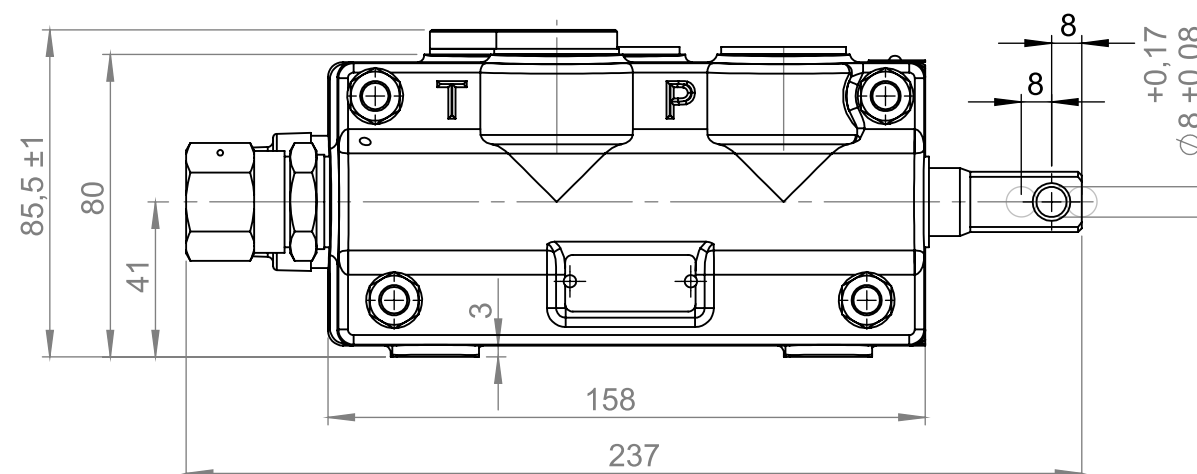
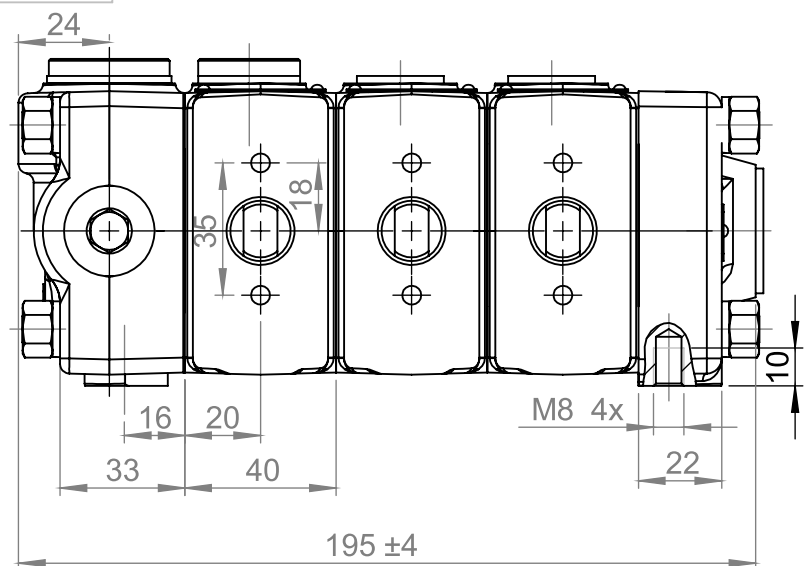


12972.00.00



1. Technical parameters

1.1. Nominal flow- 60 dm³/min

1.2. Nominal pressure- 20 MPa

1.3. Pressure range from 7 to 20 MPa

2.1. Way of ordering

-Type

-Inlet section

-Section

-Outlet

2.2. In one valve all sections should be with one and the same hydraulic scheme of distribution- parallel or series

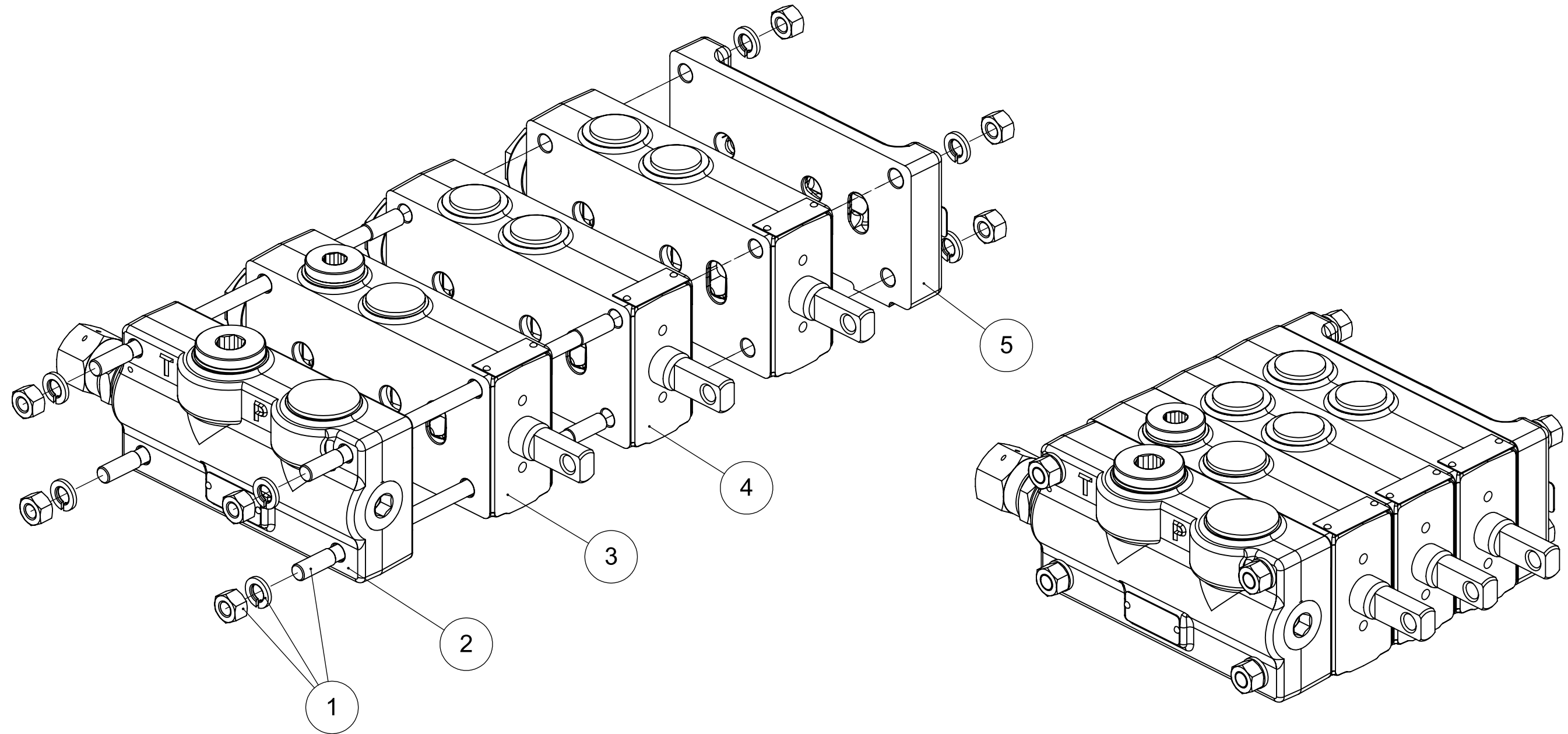
2.3. All dimensions marked with * are for check up.



BULGARIA, 6100 Kazanlak,
31, Makariopolski str.,
Tel.: (+359 431) 622-22, 655-89
Fax: (+359 431) 622-23,
e-mail: shipka54@mbox.contact.bg
www.shipka54.com

Drawing Information				Material		Description		Weight	
Drawn By	Stoe	14.10.2008	sheet	1/2					
CheckBy	Todoro		scale	1:2					
					description			weight kg	
					PX 346 4 3			11.713	
					№			12972.00.00	

12972.00.00



BULGARIA, 6100 Kazanlak,
 31, Makariopolski str.,
 Tel.: (+359 431) 622-22, 655-89
 Fax: (+359 431) 622-23,
 e-mail: shipka54@mbox.contact.bg
 www.shipka54.com

Drawn By	Stoe	14.10.2008	sheet	2/2	material	
CheckBy	Todoro		scale	1:2	description	
					PX 346 4	3
						weight kg
						11.713
					№	
					12972.00.00	