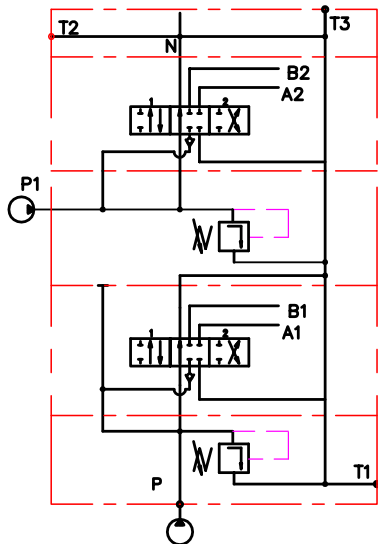
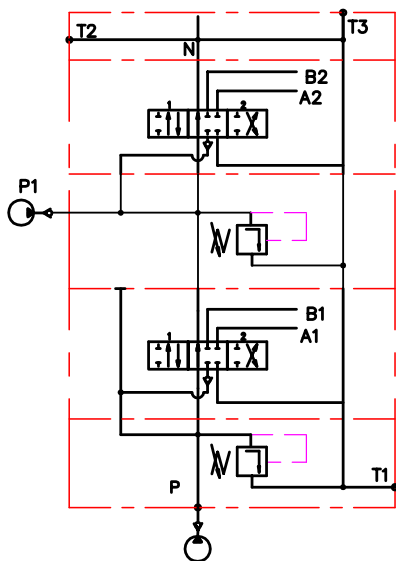


Распределитель гидравлический PC 70
Directional control valve PC 70
Mid inlet PC70IM...

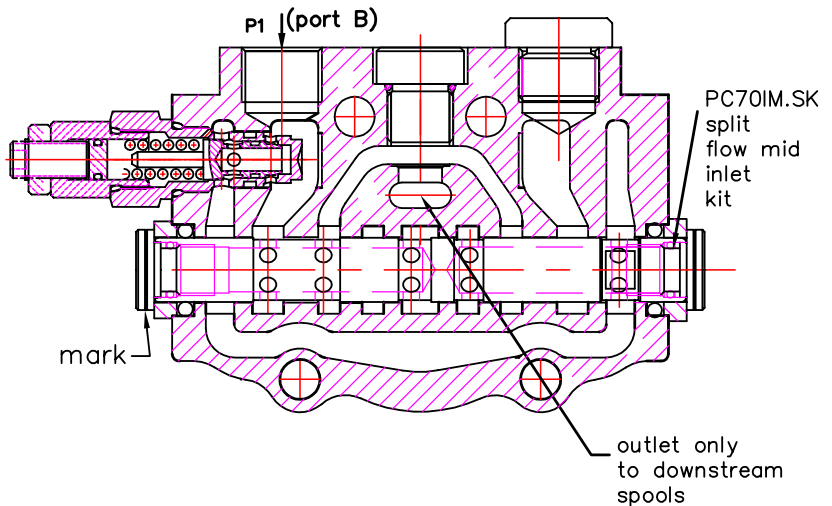
Scheme with
PC70IM.S_ – Split Flow Mid-Inlet



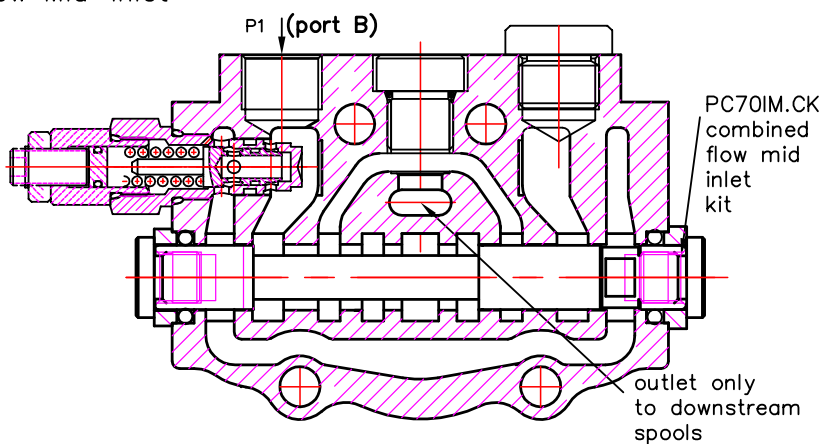
Scheme with
PC70IM.C_ – Combined Flow Mid-Inlet



PC70IM.S...G/byway of example/



PC70IM.C...S /byway of example/



Description

A Mid-Inlet provides an inlet port for a second pump mid stream in the valve stack. A relief valve can be provided in this section.

The split flow inlet completely separates the two pump flows. The common tank passage is shared between the two pump flows.

With the combined flow inlet the flow from both pumps is available to the downstream section when all the work sections upstream are in neutral.

PC70IM.XXX

- G – Port size G1/2
- S – Port size #10 (7/8–14UNF)
- (svp) – No relief valve
- Blank – Adjustable relief valve 50–250 bar (setting 180 at 35 l/min)
- Out of standard relief pressure – text
- S – Split flow mid-inlet
- C – Combined flow mid-inlet

* Section appearances are of parallel section – special body..