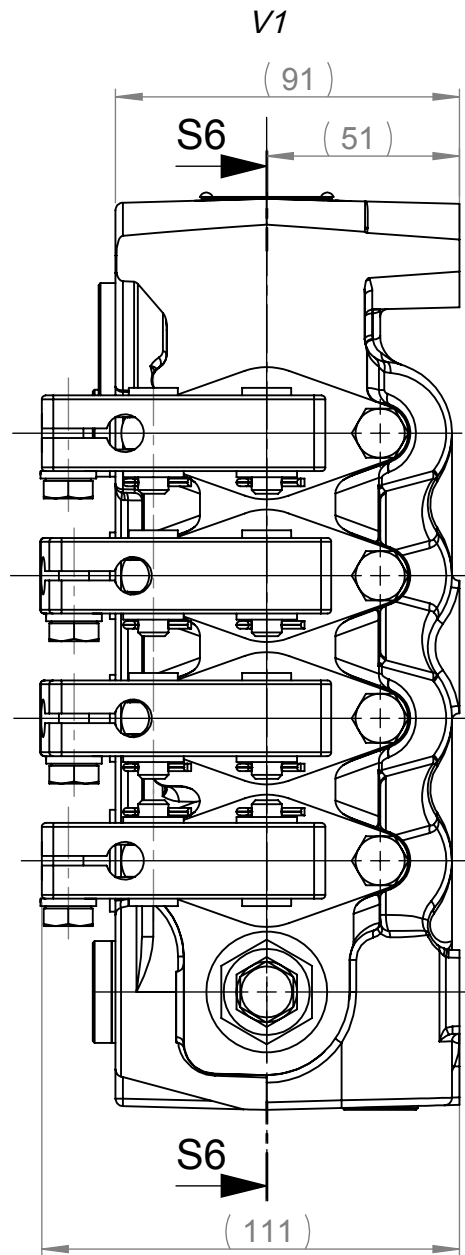
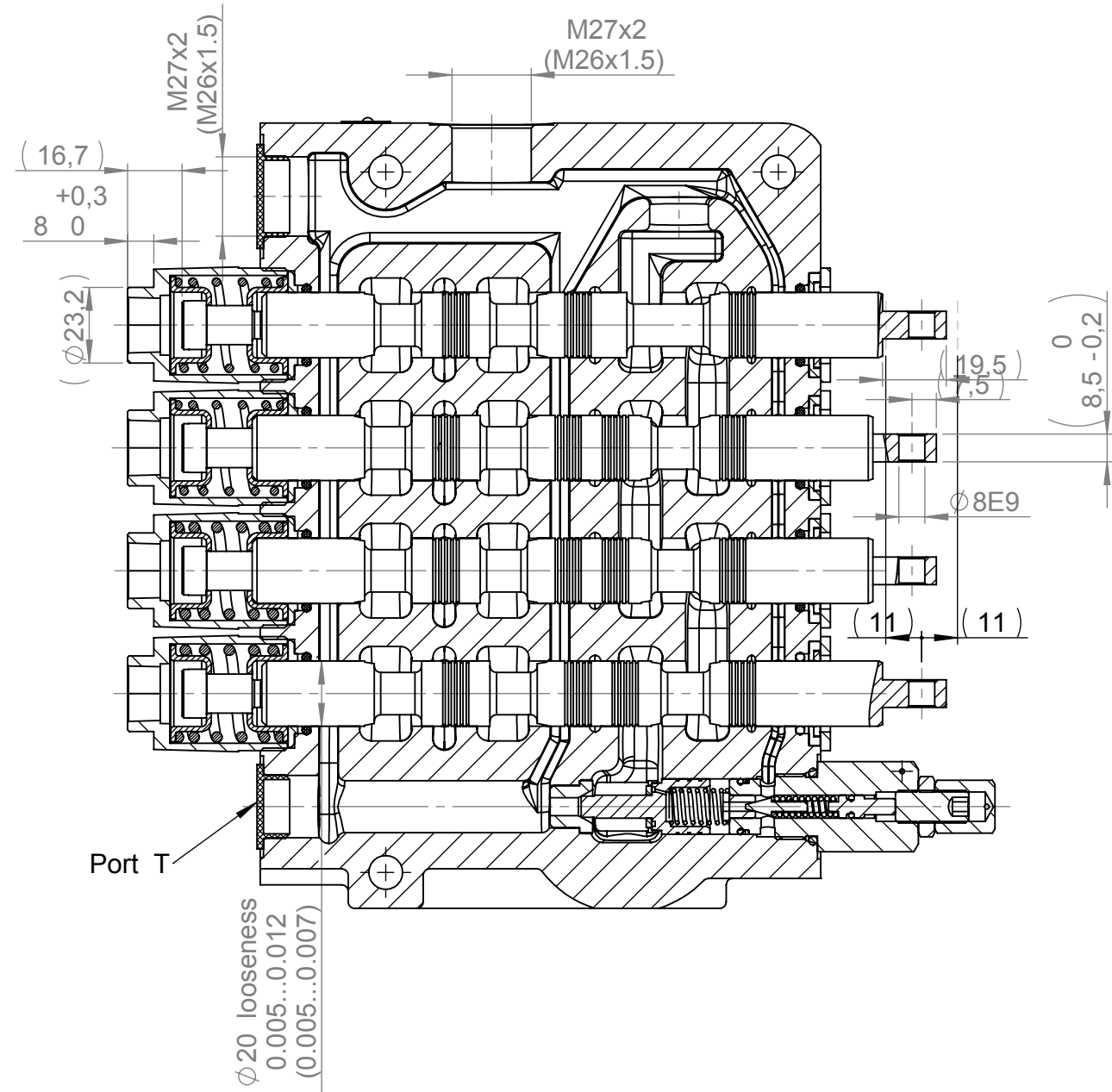


- 1. Technical parameters
- 1.1 Nominal flow- 80 dm³/min
- 1.2 Nominal pressure- 25MPa

Drawn By	29.09.2008	sheet	1/4	material	
CheckBy		scale	1:2		
				description	maca/weight kg
				Monoblock PX80	19.326
				№	12680.00.00.00

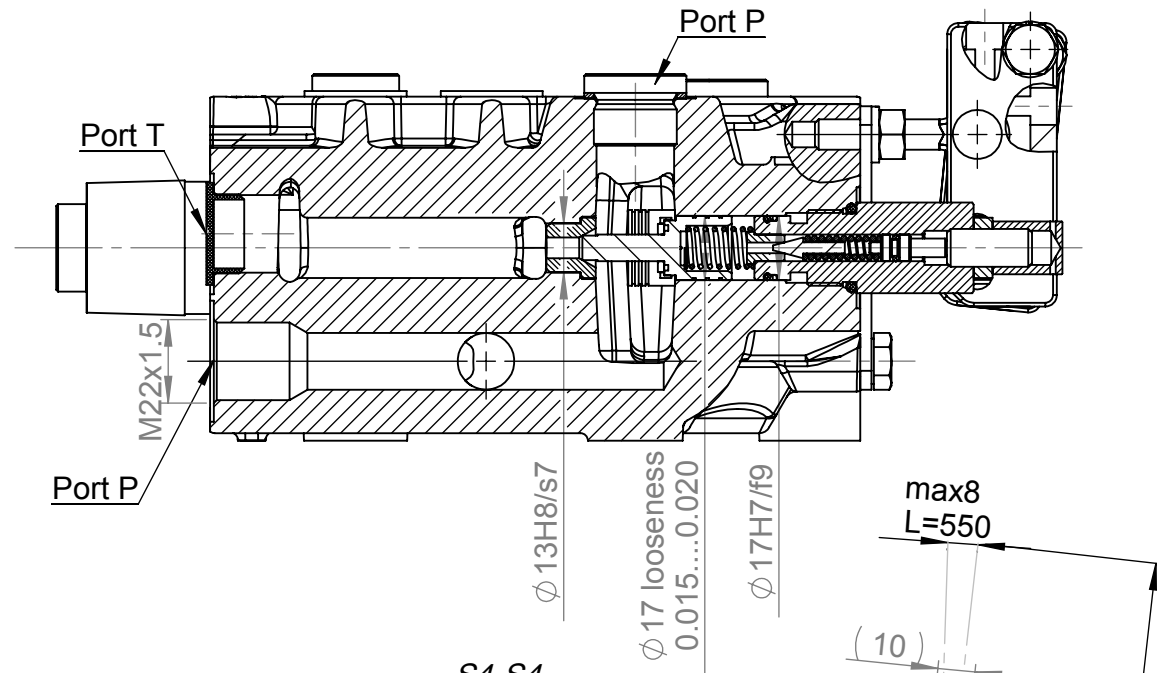


S6-S6
Variant without details pos.34, 35, 37, 41

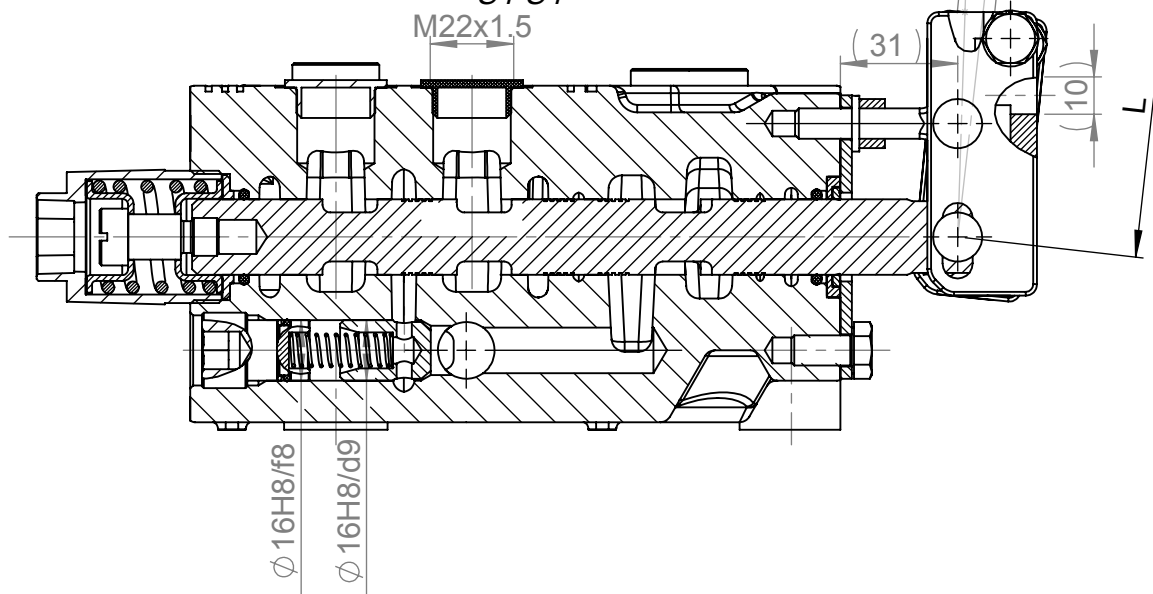


Drawn By	29.09.2008	sheet	2/4	material	
CheckBy		scale	1:2	description	
				description	Monoblock PX80
				№	12680.00.00.00
					maca/weight kg
					19.326

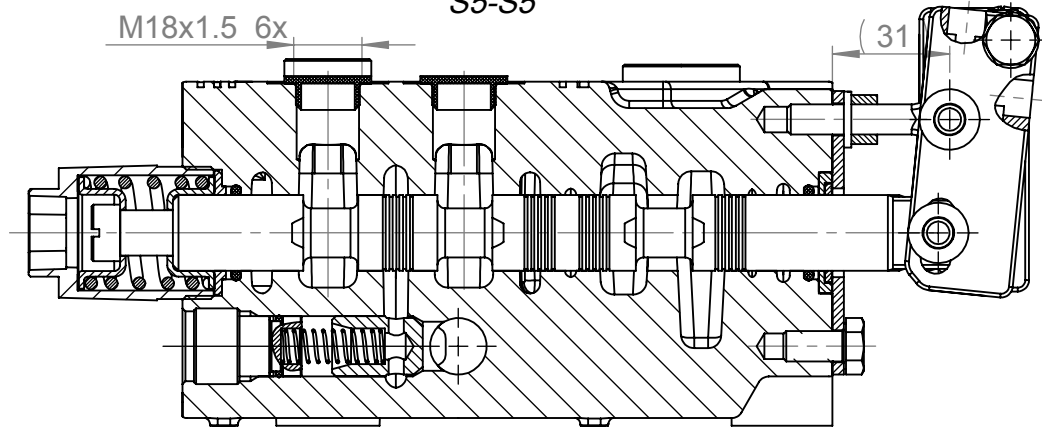
S2-S2



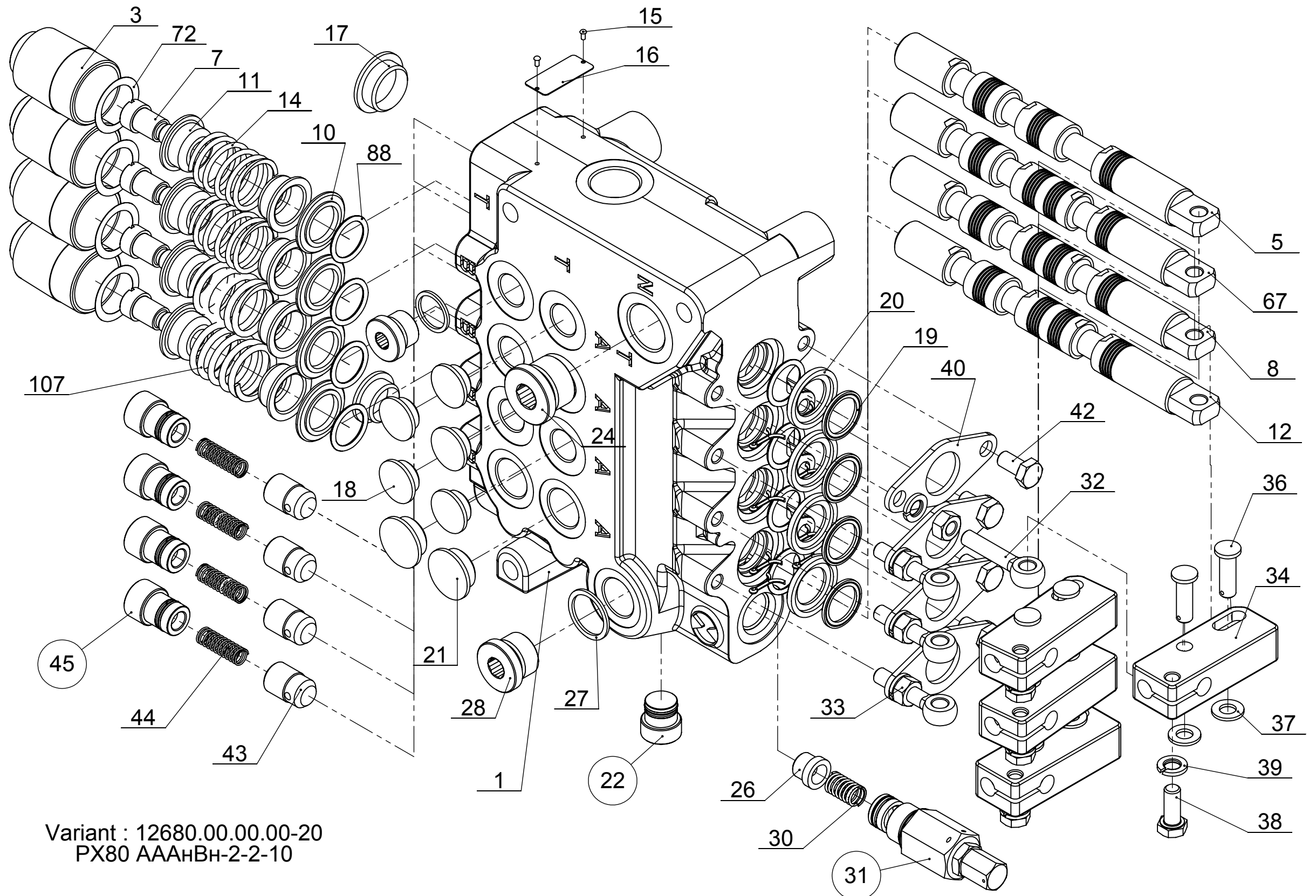
S4-S4



S5-S5



Drawn By	29.09.2008	sheet	3/4	material	
CheckBy		scale	1:2		
				description	maca/weight kg
				Monoblock PX80	19.326
				Nº	
				12680.00.00.00	



Variant : 12680.00.00.00-20
PX80 AAAHBH-2-2-10

Drawn By	29.09.2008	sheet	4/4	material	
CheckBy		scale	1:2	description	
				Monoblock PX80	maca/weight kg 19.326
				№	12680.00.00.00