

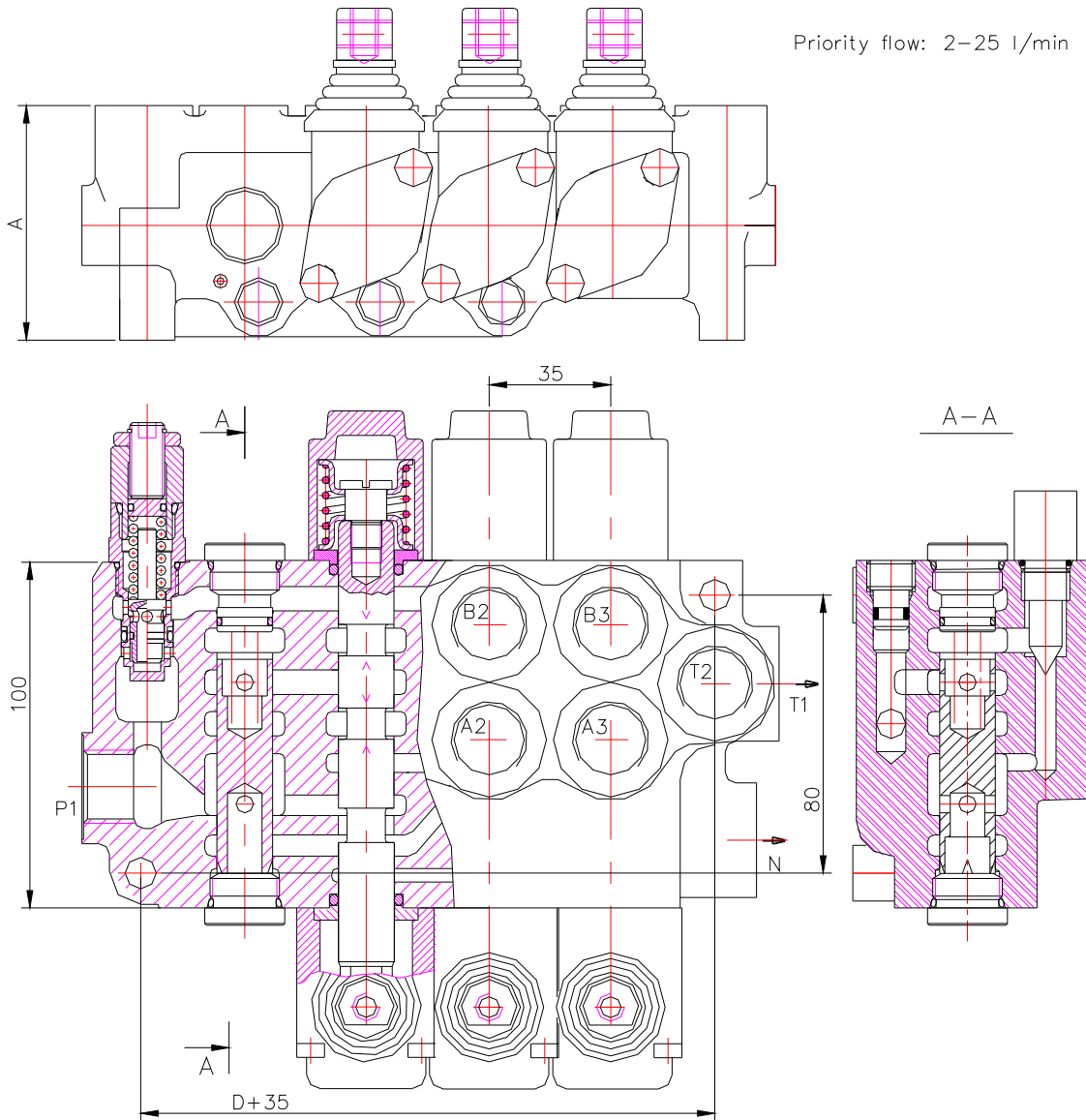
directional control valve 3PF40 ...

The monoblock valves PF derive from the P40 and differ from them by having at the Inlet 3-ways priority integrated and pressure compensated flow regulator. The first spool ruled by the priority flow (PF) and the second by the exceeding flow (EF).

The flow regulator only works when the first spool is actuated. When the first spool is not actuated the whole flow goes to second or third elements.

All other P40 technical data refers to PF40 valve too.

Priority flow: 2-25 l/min



3PF40 1A1A1A1 GKZ1

