

Circuit selector valves RRV ...

RRV ... 3/2 or 3/3 circuit selector valve is designed to handle flow rates up to 120 l/min(32GPM) at a maximum pressure 250 bar. (3630 psi).

The valve can be equipped with a number of different spools to provide 3/2 as well as 3/3 functions.

The RRV can be controlled either by hand or any direct acting force on the spool in combination with spring center or detent mechanism.

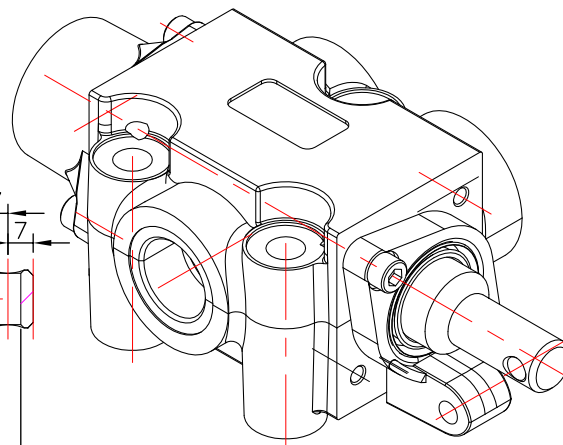
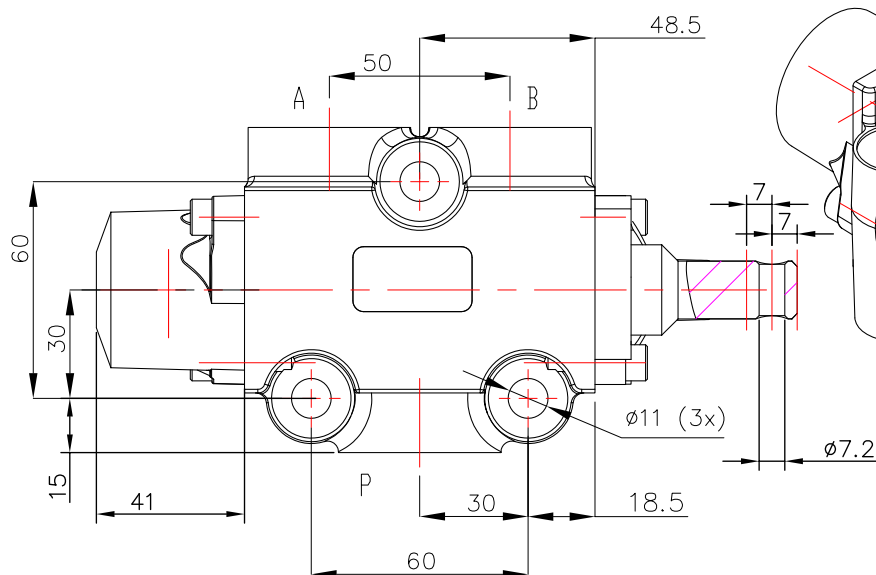
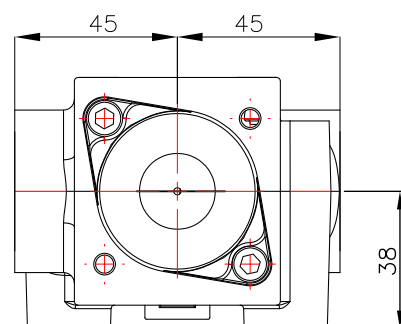
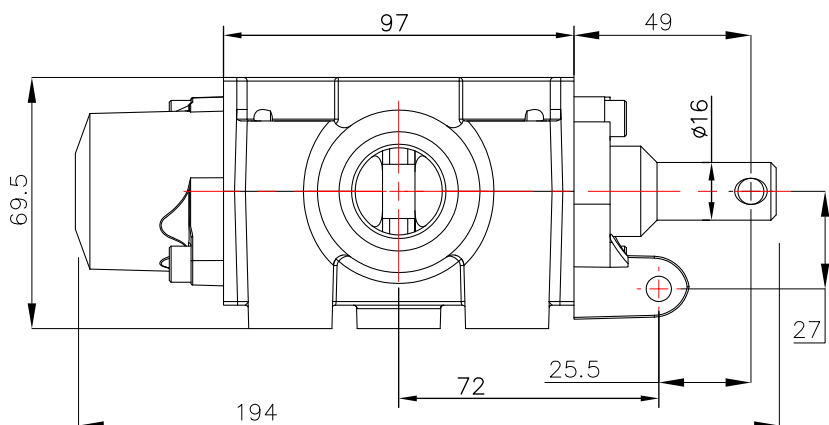
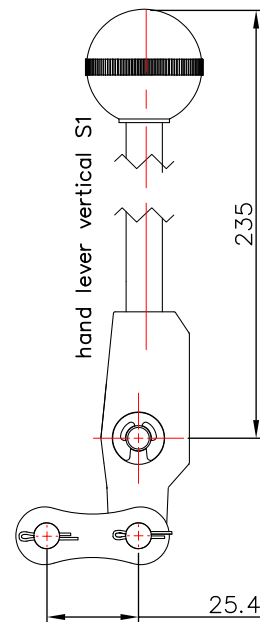
The RRV ... can be equipped with pneumatic and hydraulic control.

Max. working pressure 250 bar 3630 psi

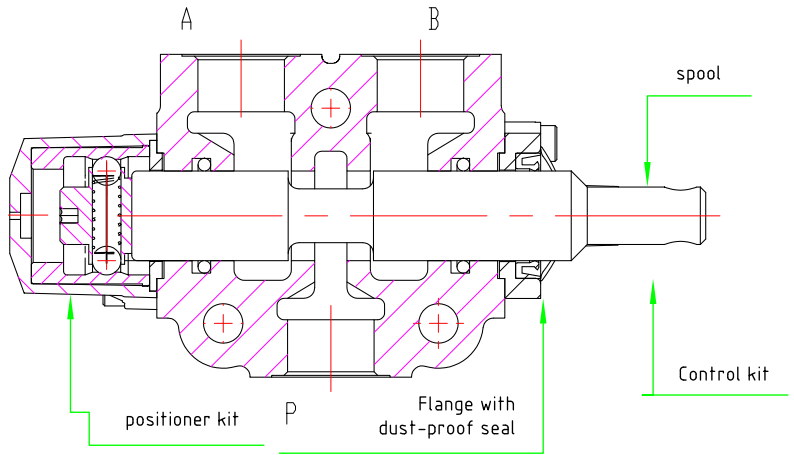
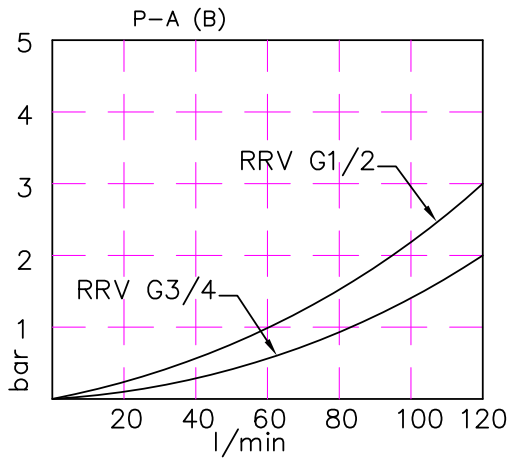
Max. flow rate 120 l/min 32 GPM

Temperature range -30 to 80°C -40 to 176F*

Internal leakage A(B) to T(100 bar, 35 cst)10 ccm/min



Circuit selector valves RRV ...



Order code

RRV G12 A11 S1-model example

1. Body kit standart – G3/4
2. Spool options
 - A–3 way 2 positions with ports connected in transit position
 - B–3 way 2 positions with ports closed in transit position
 - AT–type A with spherical end
 - An–type A spring return in pos. 1
 - Re–3 way 2 positions with ports closed in transit position
 - CV–2 way 2 positions with check valve
3. Positioner kits
 - 1–3 positions, sprig centered
 - 4–pos 0–2 spring return in 0
 - 5–pos 1–0 spring return in 0
 - 6–pos 1–2 spring return in 1
 - 7–pos 1–2 spring return in 2
 - 8–3 positions detent in 1,0,2
 - 9–pos 1–0 detent in 0,1
 - 10–pos 0–2 detent in 0,2
 - 11–pos 1–2 detent in 1,2
4. Control kits
 - S1–vertical hand lever 235 mm
 - S7–horizontal hand lever 235 mm – without lever
 - P–pneumatic kit on/off 1/8–27NPTF with spring return in pos. 2–pilot pressure 6–10 bar (87–145psi)
 - H–hydraulic kit on/off G1/4 with spring return in pos. 2–pilot pressure 30–250bar (435–3600psi)

RRV ...

code	ports dimensions
ports	P, A, B
G12	G 1/2
G34	G 3/4
SAE10	7/8–14(SAE10)
SAE12	1 1/16–12(SAE12)

RRV ...

code	Spool type
A	
B	
An	
Re	
CV	

RRV ...

code	Spool control
1	
4	
5	
6	
7	
8	
9	
10	
11	

code	operation feature
S1	hand lever vertical
S7	horizontal
P	 pneumatic
H	 hydraulic