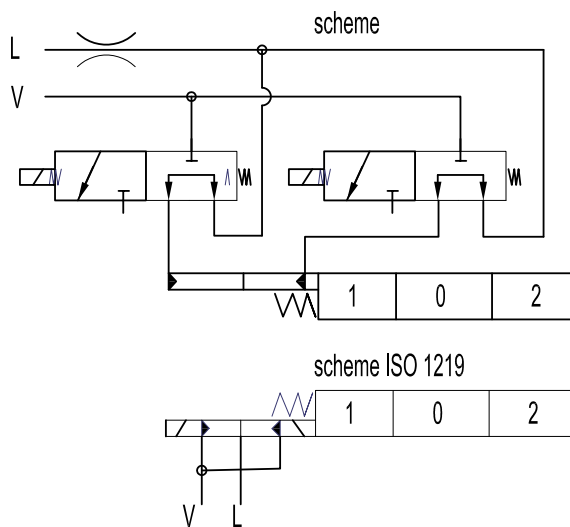
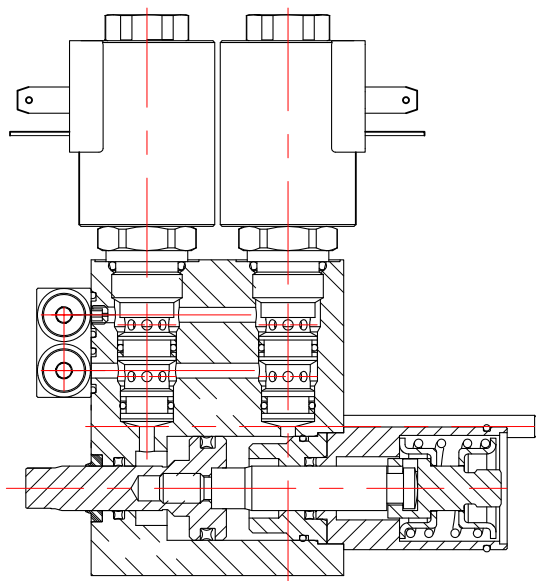


directional control valve P80

ED3 – electro-hydraulic control ON-OFF
Електрогидравлически контрол ON-OFF



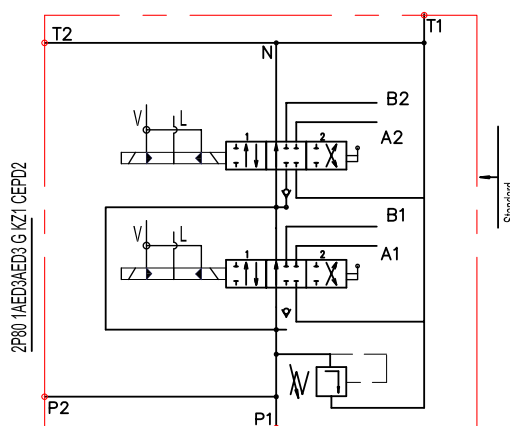
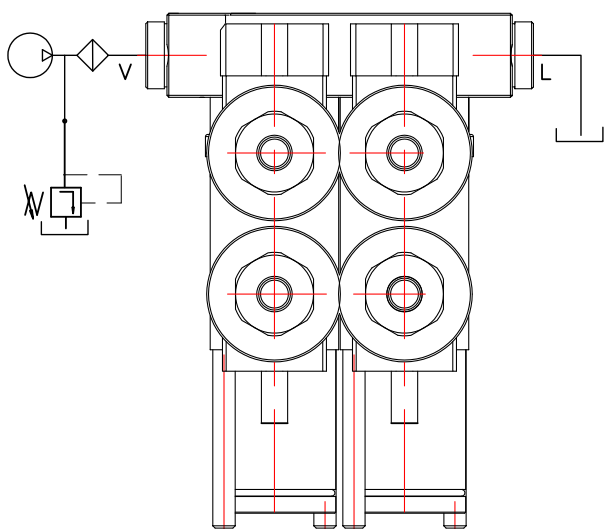
Ordering codes

3-way solenoid valve-SV08-33
coil P80ED3-G-12VDC
coil P80ED3-G-24VDC

Operating pressure min 10 bar(145 psi)
max 50 bar(725 psi)
Max operating pressure in L (T line) 25 bar(360 psi)

Solenoid operating features
Nominal voltage tolerance ±10%
Power rating 24W
Duty cycle 100 %

Collector kit for external pilot and drain – CEED...(1,2,3 ...)
Колектор для внешнего питания управления и слив



Ordering example

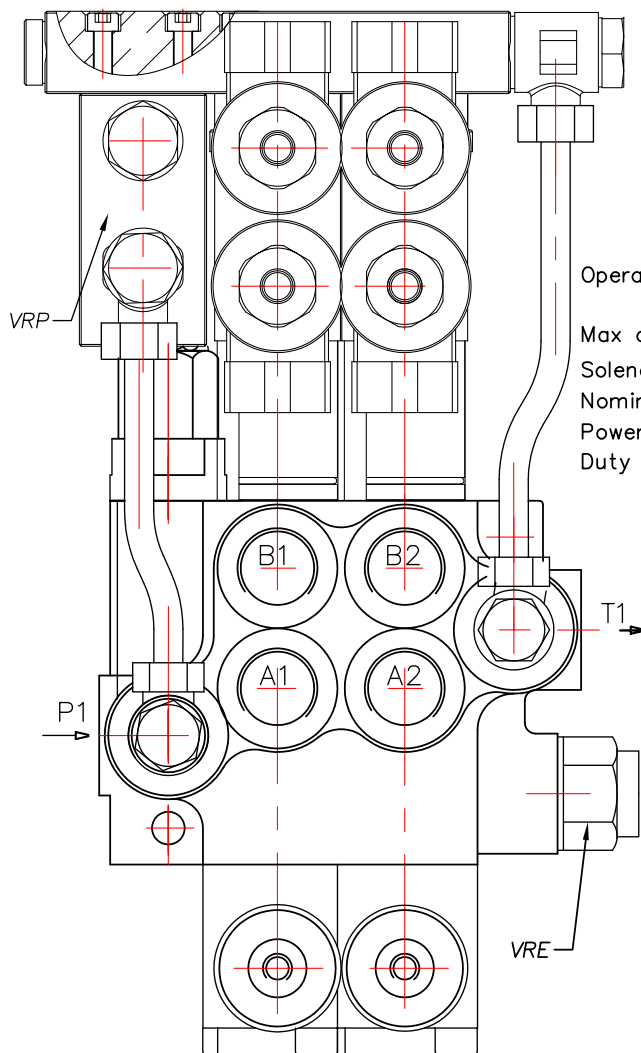
2P80 1A1ED3A1ED3 G KZ1-CEED2-12VDC

Ordering codes (BSP threads)

CEED1P80 Kit for 1 section
CEED2P80 Kit for 2 section
CEED3P80 Kit for 3 section
CEED480 Kit for 4 sektion
.....

directional control valve P80

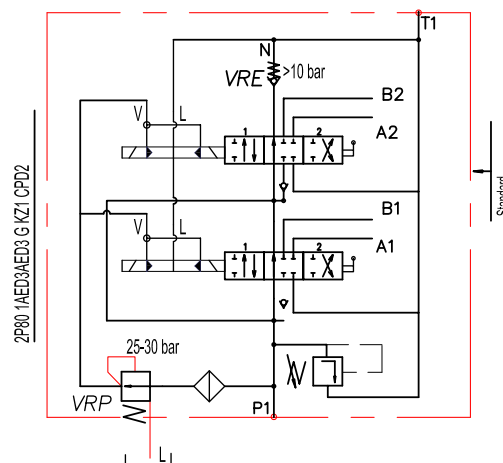
ED3 – electro-hydraulic control ON-OFF
Електрогидравлически контрол ON-OFF



Order codes

3-wai solenoid valve-LSV2-08-3C-NNN
coil P40ED3-G-12VDC
coil P40ED3-G-24VDC

Operating pressure	min 10 bar(145 psi) max 50 bar(725 psi)
Max operating pressure in L (T line)	25 bar(360 psi)
Solenoid operating features	
Nominal voltage tolerance	±10%
Power rating	24W
Duty cycle	100 %



Ordering example

2P80 VRP 1A1ED3A1ED3 G KZ1-CED2-VRE-12VDC

Colector kit

CED1P80
CED2P80
CED3P80
CED480
.....

**Ordering codes
BSP threads**

Kit for 1 section
Kit for 2 section
Kit for 3 section
Kit for 4 sektion

Back pressure valve VRE-P80
Клапан подпорный на слив

