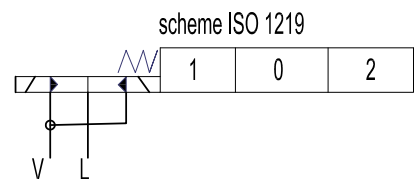
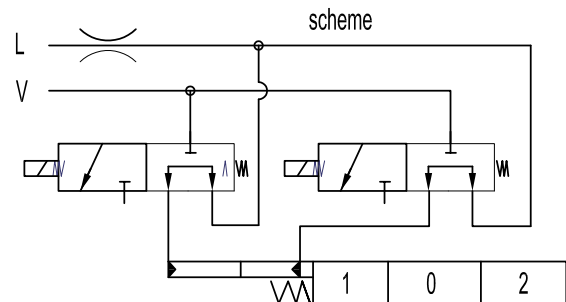
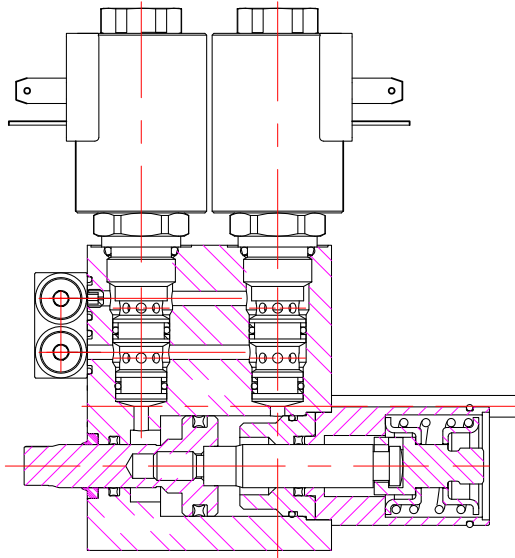


directional control valve P40

ED3 – electro-hydraulic control ON-OFF
Електрогидравлический контрол ON-OFF



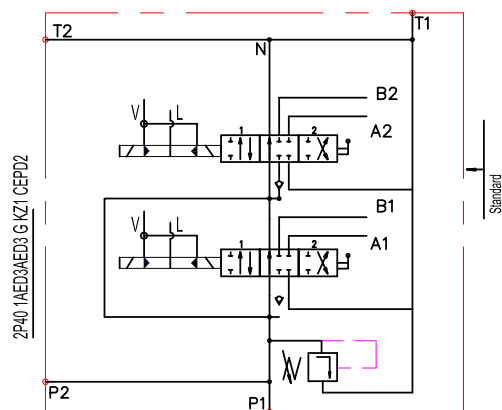
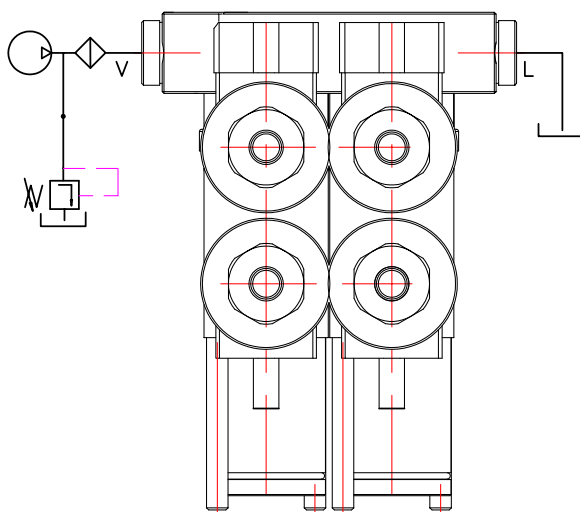
Ordering codes

3-wai solenoid valve-SV08-33
coil P40ED3-G-12VDC
coil P40ED3-G-24VDC

Operating pressure min 10 bar(145 psi)
max 50 bar(725 psi)
Max operating pressure in L (T line) 25 bar(360 psi)

Solenoid operating features
Nominal voltage tolerance ±10%
Power rating 24W
Duty cycle 100 %

Collector kit for external pilot and drain – CEED...(1,2,3 ...)
Колектор для внешнего питания управления и слив



Ordering example

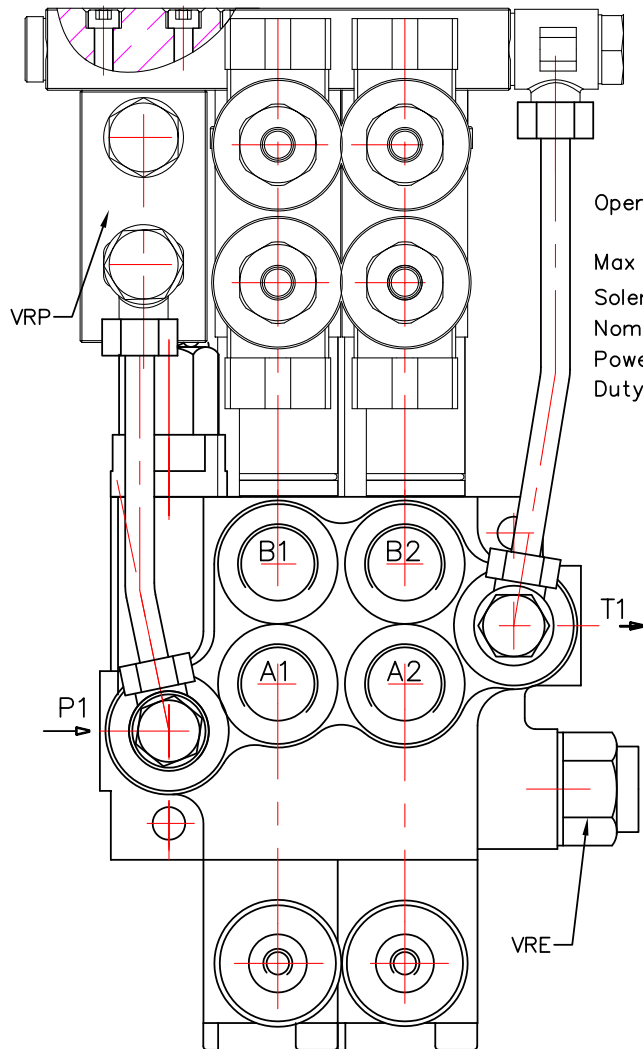
2P40-1A1ED3A1ED3 G KZ1-CEED2-12VDC

Ordering codes (BSP threads)

CEED1P40	Kit for 1 section
CEED2P40	Kit for 2 section
CEED3P40	Kit for 3 section
CEED4P40	Kit for 4 sektion
.....	

directional control valve P40

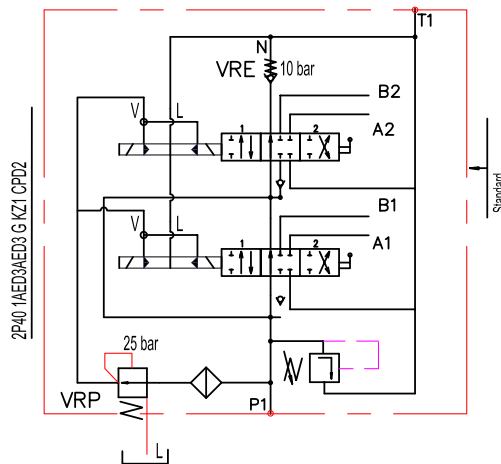
ED3 – electro-hydraulic control ON–OFF
Електрохидравлически контрол ON–OFF



Order codes

3-wai solenoid valve–LSV2–08–3C
coil P40ED3–G–12VDC
coil P40ED3–G–24VDC

Operating pressure	min 10 bar(145 psi) max 50 bar(725 psi)
Max operating pressure in L (T line)	25 bar(360 psi)
Solenoid operating features	
Nominal voltage tolerance	±10%
Power rating	24W
Duty cycle	100 %



Ordering example

2P40–VRP– 1A1ED3A1ED3 G KZ1–CED2–VRE–12VDC

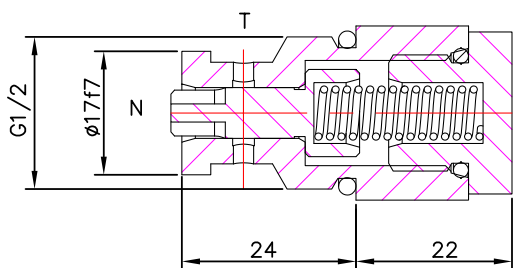
Colector kit

- CED1
- CED2
- CED3
- CED4
-

**Ordering codes
BSP threads**

- Kit for 1 section
- Kit for 2 section
- Kit for 3 section
- Kit for 4 sektion

Back pressure valve VRE–P40
Клапан подпорний на слив



Pressure drop N–T

