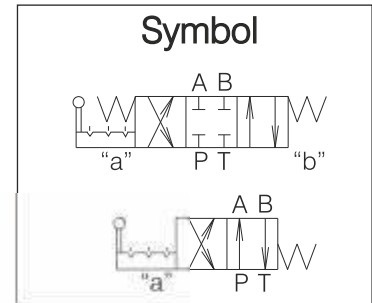


GENERAL DESCRIPTION

RH10...7F...

- ✓ 4/3- and 4/2- way directional control valves with manual operation
- ✓ Reliability and long life
- ✓ Mounting surface CETOP5 (NG10)



The RH10...7F... valves consist of a spool , housing , springs and manual control unit. They used to control the start , stop and direction of flow.

This model is designed with two-spring centered spool about 4/3- and 4/2- valves. The housing has 5-chambers. There are two possible versions of valve - with detent and without detent.

The valve location during assembly is of minor importance , but the horizontal position is generally recommended.

ORDERING CODE

see page 8/13

FUNCTIONAL SYMBOLS

see page 3/13

TECHNICAL DATA

DATA	UNIT	VALUE/RANGE
Weight	kg	5,1
Max. pressure port P , A & B port T	MPa	32 16
Rated flow (at $\Delta p=0,1\text{MPa}$)	l/min	15...45
Angular movement	°	± 29
Actuating force	N	30

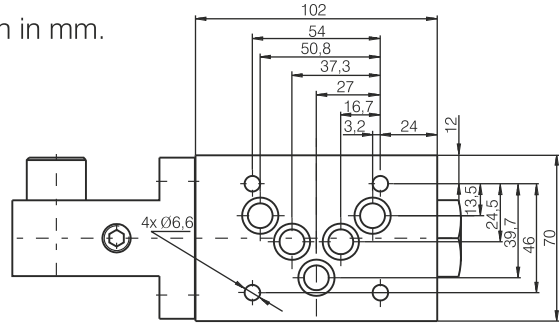
CHARACTERISTICS

see page 6/13



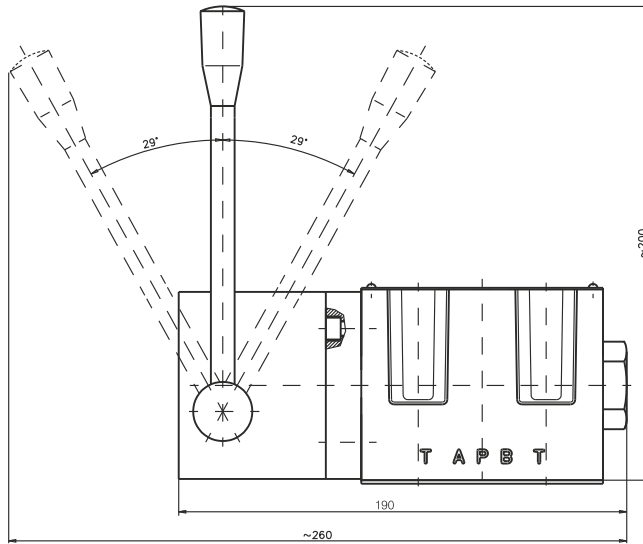
DIMENSIONS

All dimensions are shown in mm.

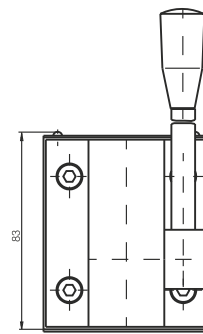


THREE POSITIONAL

Symbols 00, 01, 02, 04, 05, 06, 11, 12, 14, 17, 18, 21, 24, 26, 27, 39, 40, 41, 45, 68, 70, 83(except 61 & 62)

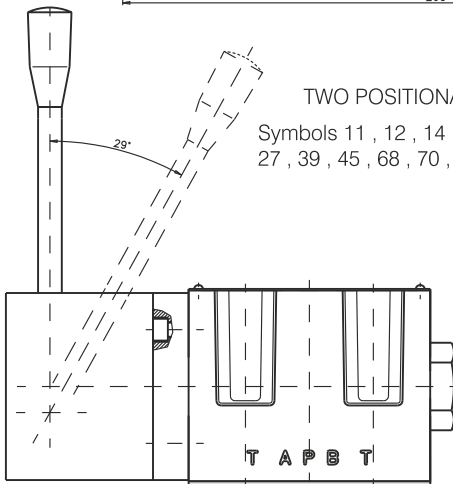


For three positional valves symbols 61 and 62 the operator is at side "b".



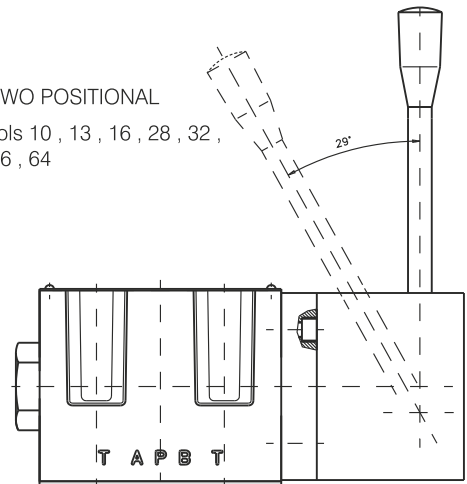
TWO POSITIONAL

Symbols 11, 12, 14, 17, 24, 27, 39, 45, 68, 70, 83



TWO POSITIONAL

Symbols 10, 13, 16, 28, 32, 33, 36, 64



SEALS

