

GENERAL DESCRIPTION

RH10...6F...

- ✓ 4/3 and 4/2- way directional control valves with pneumatic operation
- ✓ Reliability and long life
- ✓ Mounting surface CETOP5 (NG10)



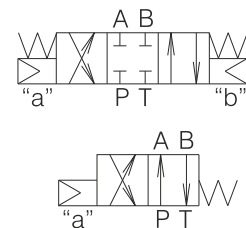
The RH10...6F... valves consist of a spool, housing, springs and pneumatic control unit.

They used to control the start, stop and direction of flow.

This model is designed with two-spring centered spool about 4/3- and 4/2- valves. The housing has 5-chambers.

The valve location during assembly is of minor importance, but the horizontal position is generally recommended. For functional symbols "08", "19" and "20", the horizontal position is obligatory.

Symbol



ORDERING CODE

see page 8/13

FUNCTIONAL SYMBOLS

see page 3/13

TECHNICAL DATA

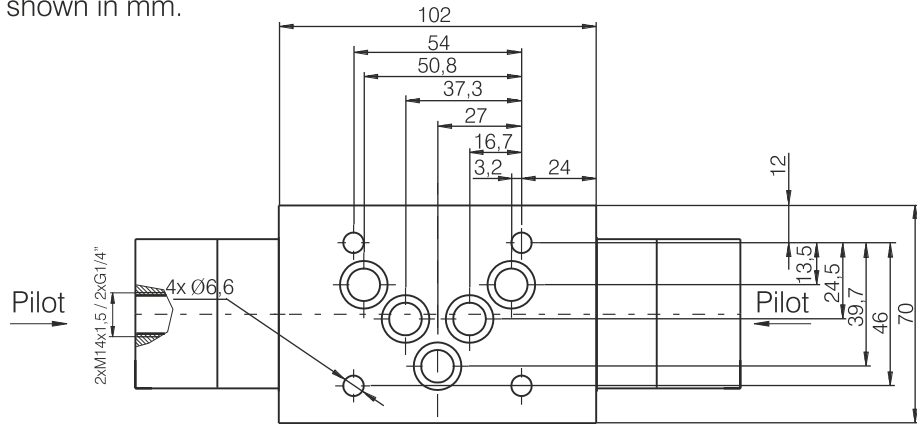
DATA	UNIT	VALUE/RANGE
Weight	-three positional -two positional	4,250 3,800
Max. Pressure	port P, A & B port T	32 16
Rated flow	(at $\Delta p=0,1\text{MPa.}$)	15..45
Pilot pressure	-P _{min} -P _{max}	0,3 1

CHARACTERISTICS

See page 6/13

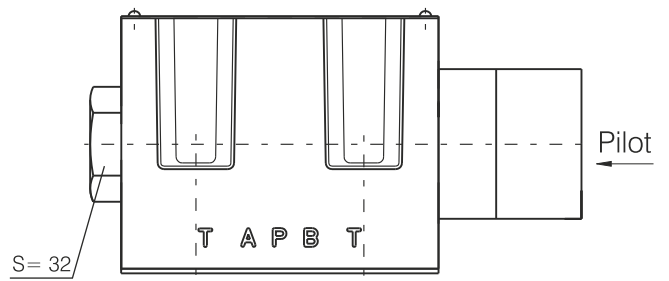
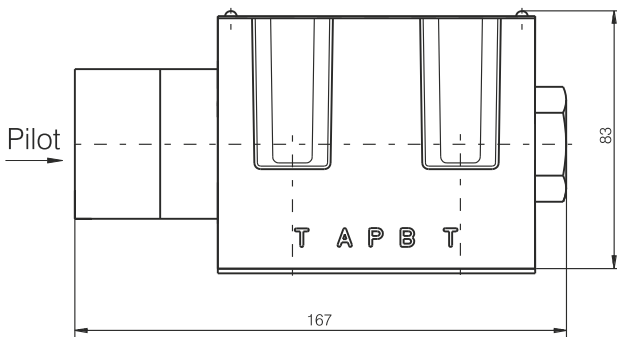


All dimensions are shown in mm.



Symbols 12 , 17 , 24 , 27 , 34 , 39 , 45 , 68 , 70 , 83

Symbols 10 , 13 , 16 , 28 , 32 , 36 , 64 , 78



SEALS

