

GENERAL DESCRIPTION

- ✓ 4/2- way directional control valves with mechanical operation
- ✓ Reliability and long life
- ✓ Mounting surface CETOP5 (NG10)

# RH10...4F...



These RH10...4F... valves consist of a spool , housing , springs and mechanical control unit. They used to control the start , stop and direction of flow.

The valves are used for hydraulic power control. This model is designed with two-spring centered spool.

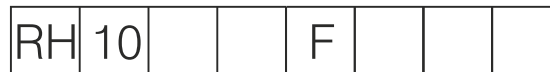
The housing has 5-chambers and vertical "T" duct.

The valve location during assembly is of minor importance , but the horizontal position is generally recommended.

Symbol



ORDERING CODE



Directional control valve

Nominal size

Functional symbol

see page 3/13

Connection threads\*\*

**M** - M14x1,5

**G** - G1/4"

**N** - normal

**T** - tropical

Detent\*

**Omit** -without detent

**D**-with detent

Modification

**4** - mechanical

**6** - pneumatic

**7** - manual

Type of control

\* Only for type of control 7-manual

\*\* Only for type of control 6-pneumatic

FUNCTIONAL SYMBOLS

see page 3/13



TECHNICAL DATA

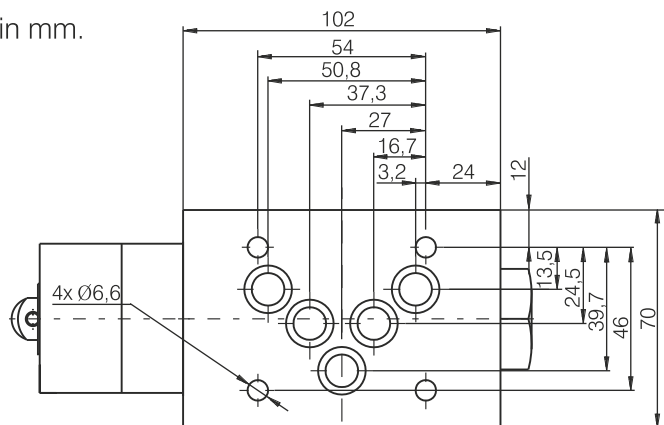
DATA	UNIT	VALUE/RANGE
Weight	kg	4
Max. Pressure port P , A & B port T	MPa	32 16
Rated flow (at $\Delta p=0,1\text{MPa.}$ )	l/min	15...45
Actuating force $-F_{\min}$ $-F_{\max}$	N	50 150

CHARACTERISTICS

See page 6/13

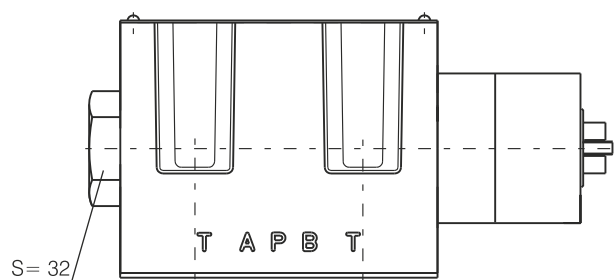
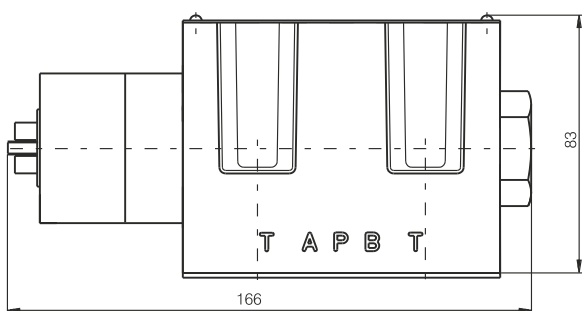
DIMENSION

All dimensions are shown in mm.



Symbols 12 , 17 , 24 , 27 , 34 , 39 , 45 , 68 , 70 , 83

Symbols 10 , 13 , 16 , 28 , 32 , 36 , 64 , 78



SEALS

