

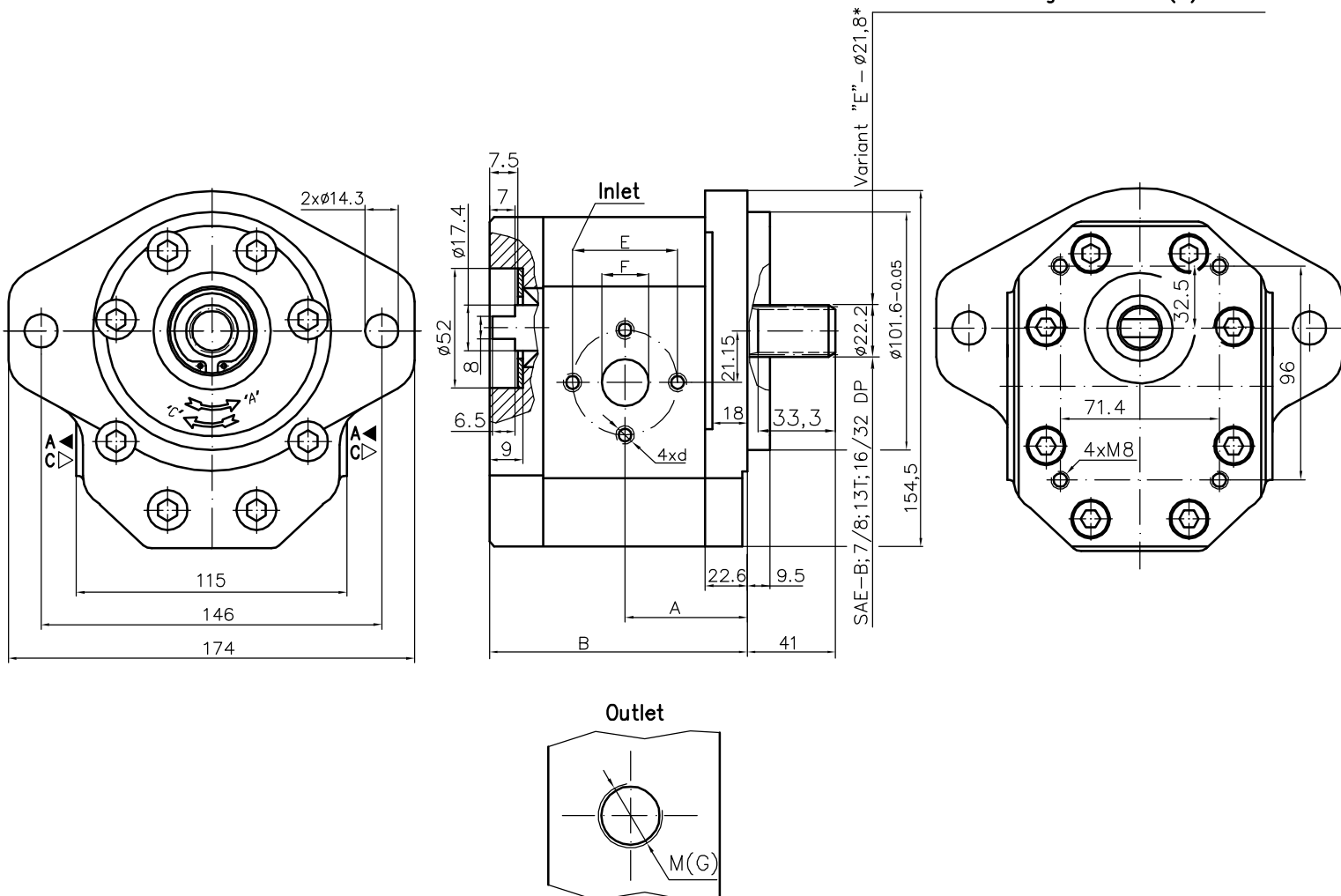
Pump type:
30A(C)...X675H



BULGARIA, 6100 Kazanlak,
31, Makariopolski str.,
Tel.: (+359 431) 622-22, 655-89
Fax: (+359 431) 622-23,
e-mail: shipka54@mbox.contact.bg
www.shipka54.com

Designed as a first section of multiple gear pumps group 32.
Usually connected with second section pumps type 20A(C)...X201 and others with central diameter $\varnothing 52$.

*Variant "E" – designation 30A(C)...X675HE



Type	Displacement cm ³ /rev	Flow		Pressure P _{nom} bar	max Speed n rpm	Dimension						
		at 1500 rpm l/min	at max rpm l/min			A mm	B mm	Inlet		Outlet		
30A(C)20X675H	20	28,2	56,4	250	3000	56,1	114,7	40	M8	19	M27x1,5	G3/4"-A
30A(C)22,2X675H	22,5	31,7	63,5	250	3000	57,6	117,7					
30A(C)25X675H	25	35,3	70,5	250	3000	58,3	119,1					
30A(C)28X675H	28	39,5	79,0	250	3000	60,2	122,7					
30A(C)32X675	32	45,1	75,2	250	2500	62,0	126,3					
30A(C)32X675H	32	45,1	90,2	250	3000	66,5	135,3	51	M10	27		
30A(C)36X675	36	50,8	84,6	250	2500	63,5	129,4					
30A(C)36X675H	36	51,3	95,8	250	2800	68,0	138,5					
30A(C)42X675	42	59,9	91,8	230	2300	66,3	135,0					
30A(C)42X675H	42	59,9	99,8	230	2500	70,8	144,0					
30A(C)46X675H	46	65,6	100,5	230	2300	72,7	147,8					
30A(C)50X675H	50	71,3	99,8	200	2100	74,5	151,4					
30A(C)55X675H	55	78,4	91,4	200	1750	76,7	155,9					
30A(C)60X675H	60	85,5	99,8	180	1750	78,7	160,4					